

ATTRACTIVE & RUGGED FOR WET & DUSTY ENVIRONMENTS

Sealed to IP68S and IP69K, the OTTO K3 rocker switch is a quality, precision switch designed to comply with standards established for appliance, marine (ignition protection) and off-road vehicles along with other demanding applications where rugged rocker switches are required.

K3 sealed rocker switches snap into industry-standard panel cutouts. Choose illuminated and printed legends, thru-panel drain option and switching compatibility from logic level to 20 amps.

The K3 offers a choice of LED, incandescent and neon illumination. Legends can be stamped onto a non-illuminated button, stamped onto an illuminated lens or laser etched into the lens and backlit.

Available in standard and logic level contact ratings, the K3 rockers will fit a wide range of applications. Expect a minimum of 25,000 cycles at a full rated load of 20 amps resistive or 15 amps inductive. 100,000 cycles mechanical. A full complement of switch operation is available including momentary and maintained action in 2 or 3-position switches in SPST, SPDT, SPTT, DPST and DPDT circuit arrangements.

OTTO can provide custom colors upon request. Value-added assemblies with wire leads are also available. Please consult the factory for assistance.

Features:

- Sealed watertight per IP68S and IP69K
- Snap-in panel mounting into industry standard panel cutout
- Optional panel seal gasket
- Thru-panel drain option
- LED, neon & incandescent lighting
- 0.250" Quick Connect terminals
- Optional one-piece connector
- Optional terminal barriers
- Logic level up to 20 amp switch
- Configurable Single Pole Triple Throw (SPTT) with external jumpers
- RoHS compliant



Standard Characteristics/Ratings:		
ELECTRICAL RATINGS:		
Load	Sea Level @ 12/28VDC	Sea Level @ 125VAC, 60Hz
Resistive	20A	16A
Inductive	15A	15A
Lamp	5A	5A
Motor	0.5HP @ 110VAC	
DVV	1050Vrms except across light terminals	
Logic Level	10mA @ 5VDC, max D.C. logic level ratings (void if logic level load(s) exceeded at any time)	
Electrical Life:	25,000 cycles	
LIGHTING:		
Light Source	Rating (see appendix for complete voltage/current ratings table)	
Incandescent	(VDC) 6V, 12V, 24V	
Neon	(VAC) 125V, 250V	
LED	(VDC) 2V, 6V, 12V, 24V	
Mechanical Life:	100,000 cycles	
Seal:	IP68S and IP69K	
Operating Temp Range:	-40°C to +85°C	
MATERIALS:		
Case:	Thermoplastic, black	
Button:	Thermoplastic	
Terminals/Contact:	Brass, silver alloy with silver plate, gold flash for logic level	
Terminal Hardware:	K3 series recommended Quick Connect terminals: AMP 60253-2 for 12-16 AWG AMP 42100-2 for 14-18 AWG	
Mounting Hardware:	None provided	

SEALED, ILLUMINATED ROCKER SWITCHES

K3 SERIES PART NUMBER CODE

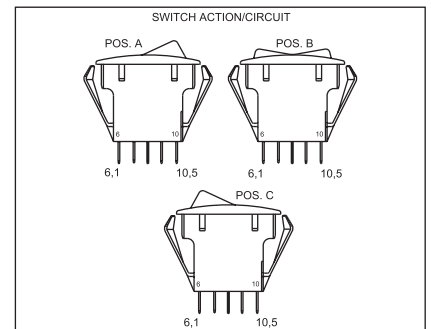
Part Number Code Continued Below

K3	X	X
Base Options	Case Style/Button Color	
A. With Keying Pin Only Standard Rating Silver Plate B. Without Barriers or Pin Standard Rating Silver Plate C. With Terminal Barriers Only Standard Rating Silver Plate D. With Keying Pin Only Logic Level Rating Gold Plate E. Without Barriers or Pin Logic Level Rating Gold Plate F. With Terminal Barriers Only Logic Level Rating Gold Plate G. With Keying Pin Only Standard Rating No Plate H. Without Barriers or Pin Standard Rating No Plate J. With Terminal Barriers Only Standard Rating No Plate	A. Case With Drain Holes Button Color: Black B. Case Without Drain Holes Button Color: Black C. Case With Drain Holes Button Color: Red D. Case Without Drain Holes Button Color: Red E. Case With Drain Holes Button Color: White F. Case Without Drain Holes Button Color: White NOTE: Switch case is black for all options below: 1. Case With Drain Holes Button Not Included 2. Case Without Drain Holes Button Not Included	

XX	X	X																																																																																								
Switch Action/Circuit	Light Source Type*	Light Circuit																																																																																								
<table border="0"> <tr> <th>Position "A"</th> <th>Position "B"</th> <th>Position "C"</th> <th>Circuit</th> </tr> <tr> <td>1A. 3-4</td> <td>NONE</td> <td>OFF</td> <td>SPST</td> </tr> <tr> <td>2A. 3-4/8-9</td> <td>NONE</td> <td>OFF</td> <td>DPST</td> </tr> <tr> <td>1B. 3-4</td> <td>NONE</td> <td>3-2</td> <td>SPDT</td> </tr> <tr> <td>2B. 3-4/8-9</td> <td>NONE</td> <td>3-2/8-7</td> <td>DPDT</td> </tr> <tr> <td>1C. (3-4)</td> <td>NONE</td> <td>OFF</td> <td>SPST</td> </tr> <tr> <td>2C. (3-4)/(8-9)</td> <td>NONE</td> <td>OFF</td> <td>DPST</td> </tr> <tr> <td>1D. (3-4)</td> <td>NONE</td> <td>3-2</td> <td>SPDT</td> </tr> <tr> <td>2D. (3-4)/(8-9)</td> <td>NONE</td> <td>3-2/8-7</td> <td>DPDT</td> </tr> <tr> <td>1E. (3-4)</td> <td>OFF</td> <td>(3-2)</td> <td>SPDT</td> </tr> <tr> <td>2E. (3-4)/(8-9)</td> <td>OFF</td> <td>(3-2)/(8-7)</td> <td>DPDT</td> </tr> <tr> <td>1F. 3-4</td> <td>OFF</td> <td>3-2</td> <td>SPDT</td> </tr> <tr> <td>2F. 3-4/8-9</td> <td>OFF</td> <td>3-2/8-7</td> <td>DPDT</td> </tr> <tr> <td>1G. (3-4)</td> <td>OFF</td> <td>3-2</td> <td>SPDT</td> </tr> <tr> <td>2G. (3-4)/(8-9)</td> <td>OFF</td> <td>3-2/8-7</td> <td>DPDT</td> </tr> </table>	Position "A"	Position "B"	Position "C"	Circuit	1A. 3-4	NONE	OFF	SPST	2A. 3-4/8-9	NONE	OFF	DPST	1B. 3-4	NONE	3-2	SPDT	2B. 3-4/8-9	NONE	3-2/8-7	DPDT	1C. (3-4)	NONE	OFF	SPST	2C. (3-4)/(8-9)	NONE	OFF	DPST	1D. (3-4)	NONE	3-2	SPDT	2D. (3-4)/(8-9)	NONE	3-2/8-7	DPDT	1E. (3-4)	OFF	(3-2)	SPDT	2E. (3-4)/(8-9)	OFF	(3-2)/(8-7)	DPDT	1F. 3-4	OFF	3-2	SPDT	2F. 3-4/8-9	OFF	3-2/8-7	DPDT	1G. (3-4)	OFF	3-2	SPDT	2G. (3-4)/(8-9)	OFF	3-2/8-7	DPDT	A. No Illumination B. 6V Incandescent C. 12V Incandescent D. 24V Incandescent E. 125VAC Neon F. 250VAC Neon G. 2V Red LED H. 2V Green LED J. 2V Amber LED K. 6V Red LED L. 6V Green LED M. 6V Amber LED N. 12V Red LED P. 12V Green LED Q. 12V Amber LED R. 24V Red LED S. 24V Green LED T. 24V Amber LED	<table border="0"> <tr> <th>Circuit</th> <th>Terminal Connections</th> </tr> <tr> <td>A. None</td> <td>None</td> </tr> <tr> <td>B. Dep. in "A"</td> <td>1(-) & 4(+)</td> </tr> <tr> <td>C. Dep. in "C"</td> <td>2(+) & 5(-)</td> </tr> <tr> <td>D. Ind. in "A"</td> <td>1(-) & 6(+)</td> </tr> <tr> <td>E. Ind. in "C"</td> <td>5(-) & 10(+)</td> </tr> <tr> <td>F. Dep. in "A"</td> <td>1(-) & 4(+)</td> </tr> <tr> <td>J. Dep. in "C"</td> <td>2(+) & 5(-)</td> </tr> <tr> <td>G. Dep. in "A"</td> <td>1(-) & 4(+)</td> </tr> <tr> <td>L. Ind. in "C"</td> <td>5(-) & 10(+)</td> </tr> <tr> <td>H. Ind. in "A"</td> <td>1(-) & 6(+)</td> </tr> <tr> <td>N. Dep. in "C"</td> <td>2(+) & 5(-)</td> </tr> <tr> <td>J. Ind. in "A"</td> <td>1(-) & 6(+)</td> </tr> <tr> <td>P. Ind. in "C"</td> <td>5(-) & 10(+)</td> </tr> </table>	Circuit	Terminal Connections	A. None	None	B. Dep. in "A"	1(-) & 4(+)	C. Dep. in "C"	2(+) & 5(-)	D. Ind. in "A"	1(-) & 6(+)	E. Ind. in "C"	5(-) & 10(+)	F. Dep. in "A"	1(-) & 4(+)	J. Dep. in "C"	2(+) & 5(-)	G. Dep. in "A"	1(-) & 4(+)	L. Ind. in "C"	5(-) & 10(+)	H. Ind. in "A"	1(-) & 6(+)	N. Dep. in "C"	2(+) & 5(-)	J. Ind. in "A"	1(-) & 6(+)	P. Ind. in "C"	5(-) & 10(+)
Position "A"	Position "B"	Position "C"	Circuit																																																																																							
1A. 3-4	NONE	OFF	SPST																																																																																							
2A. 3-4/8-9	NONE	OFF	DPST																																																																																							
1B. 3-4	NONE	3-2	SPDT																																																																																							
2B. 3-4/8-9	NONE	3-2/8-7	DPDT																																																																																							
1C. (3-4)	NONE	OFF	SPST																																																																																							
2C. (3-4)/(8-9)	NONE	OFF	DPST																																																																																							
1D. (3-4)	NONE	3-2	SPDT																																																																																							
2D. (3-4)/(8-9)	NONE	3-2/8-7	DPDT																																																																																							
1E. (3-4)	OFF	(3-2)	SPDT																																																																																							
2E. (3-4)/(8-9)	OFF	(3-2)/(8-7)	DPDT																																																																																							
1F. 3-4	OFF	3-2	SPDT																																																																																							
2F. 3-4/8-9	OFF	3-2/8-7	DPDT																																																																																							
1G. (3-4)	OFF	3-2	SPDT																																																																																							
2G. (3-4)/(8-9)	OFF	3-2/8-7	DPDT																																																																																							
Circuit	Terminal Connections																																																																																									
A. None	None																																																																																									
B. Dep. in "A"	1(-) & 4(+)																																																																																									
C. Dep. in "C"	2(+) & 5(-)																																																																																									
D. Ind. in "A"	1(-) & 6(+)																																																																																									
E. Ind. in "C"	5(-) & 10(+)																																																																																									
F. Dep. in "A"	1(-) & 4(+)																																																																																									
J. Dep. in "C"	2(+) & 5(-)																																																																																									
G. Dep. in "A"	1(-) & 4(+)																																																																																									
L. Ind. in "C"	5(-) & 10(+)																																																																																									
H. Ind. in "A"	1(-) & 6(+)																																																																																									
N. Dep. in "C"	2(+) & 5(-)																																																																																									
J. Ind. in "A"	1(-) & 6(+)																																																																																									
P. Ind. in "C"	5(-) & 10(+)																																																																																									

Special Circuits

Position "A"	Position "B"	Position "C"	Special Circuits
1H. 3-4/8-9	8-9	OFF	ON/ON/OFF
1J. 3-4/8-9	8-9	NONE	ON/ON/NONE
1K. (3-4)/(8-9)	8-9	OFF	(ON)/ON/OFF
1L. (3-4)/(8-9)	8-9	NONE	(ON)/ON/NONE
1M. 3-4/8-9	3-2/8-9	3-2/8-7	ON/ON/ON
1N. (3-4)/(8-9)	3-2/8-9	3-2/8-7	(ON)/ON/ON
1P. (3-4)/(8-9)	3-2/8-9	(3-2)/(8-7)	(ON)/ON/(ON)
2R. 3-4/8-9	OFF/8-9	OFF/OFF	ON/OFF/OFF
			ON/ON/OFF
2S. (3-4)/8-9	OFF/8-9	OFF/OFF	(ON)/OFF/OFF
			ON/ON/OFF



*See appendix for complete voltage/current ratings table.

NOTE: () denotes momentary action.

K3 PART NUMBER CODE - CONTINUED FROM ABOVE

X	X																		
Lens Color	Legend Style																		
<table border="0"> <tr> <th>Position "A"</th> <th>Position "C"</th> </tr> <tr> <td>1. Transparent Red</td> <td>1. Transparent Red</td> </tr> <tr> <td>2. Transparent Green</td> <td>2. Transparent Green</td> </tr> <tr> <td>3. Transparent Amber ①</td> <td>3. Transparent Amber ①</td> </tr> <tr> <td>4. Clear ①</td> <td>4. Clear ①</td> </tr> <tr> <td>5. Translucent White ②</td> <td>5. Translucent White ②</td> </tr> <tr> <td>Z. No Lens ③</td> <td>Z. No Lens ③</td> </tr> </table>	Position "A"	Position "C"	1. Transparent Red	1. Transparent Red	2. Transparent Green	2. Transparent Green	3. Transparent Amber ①	3. Transparent Amber ①	4. Clear ①	4. Clear ①	5. Translucent White ②	5. Translucent White ②	Z. No Lens ③	Z. No Lens ③	<table border="0"> <tr> <th>Position "A"</th> <th>Position "C"</th> </tr> <tr> <td>ZZ. No Legend</td> <td>ZZ. No Legend</td> </tr> </table>	Position "A"	Position "C"	ZZ. No Legend	ZZ. No Legend
Position "A"	Position "C"																		
1. Transparent Red	1. Transparent Red																		
2. Transparent Green	2. Transparent Green																		
3. Transparent Amber ①	3. Transparent Amber ①																		
4. Clear ①	4. Clear ①																		
5. Translucent White ②	5. Translucent White ②																		
Z. No Lens ③	Z. No Lens ③																		
Position "A"	Position "C"																		
ZZ. No Legend	ZZ. No Legend																		

NOTE: For all other legend options, refer to the legend table in the appendix, find the two digit code and enter the code in the appropriate position(s).

STOP HERE for lighted switches without legends.

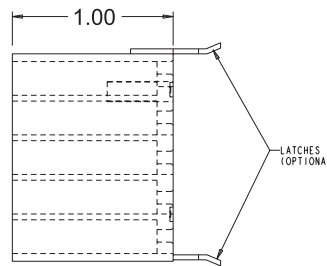
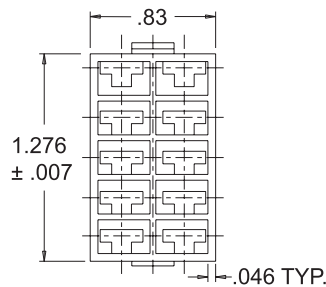
Example: K3AAIFNH-44

X	X	X																							
Legend Color	Legend Orientation																								
<table border="0"> <tr> <th>Position "A"</th> <th>Position "C"</th> </tr> <tr> <td>1. Red</td> <td>1. Red</td> </tr> <tr> <td>2. Black</td> <td>2. Black</td> </tr> <tr> <td>9. White</td> <td>9. White</td> </tr> <tr> <td>B. Backlight/Daylight White ④</td> <td>B. Backlight/Daylight White ④</td> </tr> <tr> <td>D. Backlight/Deadfront ④</td> <td>D. Backlight/Deadfront ④</td> </tr> <tr> <td>Z. No Legend</td> <td>Z. No Legend</td> </tr> </table>	Position "A"	Position "C"	1. Red	1. Red	2. Black	2. Black	9. White	9. White	B. Backlight/Daylight White ④	B. Backlight/Daylight White ④	D. Backlight/Deadfront ④	D. Backlight/Deadfront ④	Z. No Legend	Z. No Legend	<table border="0"> <tr> <th>Position "A"</th> <th>Position "C"</th> </tr> <tr> <td>1. Std.</td> <td>1. Std.</td> </tr> <tr> <td>2. 90°</td> <td>2. 90°</td> </tr> <tr> <td>3. 180°</td> <td>3. 180°</td> </tr> <tr> <td>4. 270°</td> <td>4. 270°</td> </tr> </table>	Position "A"	Position "C"	1. Std.	1. Std.	2. 90°	2. 90°	3. 180°	3. 180°	4. 270°	4. 270°
Position "A"	Position "C"																								
1. Red	1. Red																								
2. Black	2. Black																								
9. White	9. White																								
B. Backlight/Daylight White ④	B. Backlight/Daylight White ④																								
D. Backlight/Deadfront ④	D. Backlight/Deadfront ④																								
Z. No Legend	Z. No Legend																								
Position "A"	Position "C"																								
1. Std.	1. Std.																								
2. 90°	2. 90°																								
3. 180°	3. 180°																								
4. 270°	4. 270°																								

④ For legend color "B" and "D", please use button color "A" & "B" and lens color "Z" for each position.

STOP HERE for unlighted switches without legends.

Example: K3AAIFAA



K3 Connector
P/N C801775-2A Without Latches
P/N C801775-2B With Latches

Panel Seal Gasket
P/N C807037-25
Order separately for use with switches without drain holes.

Panel Plug
See Panel Plug (PP) page.

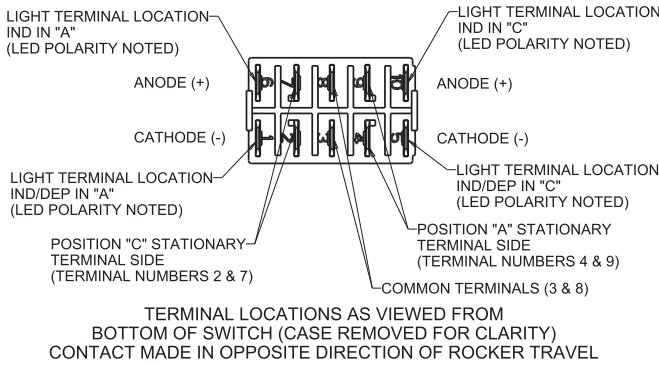
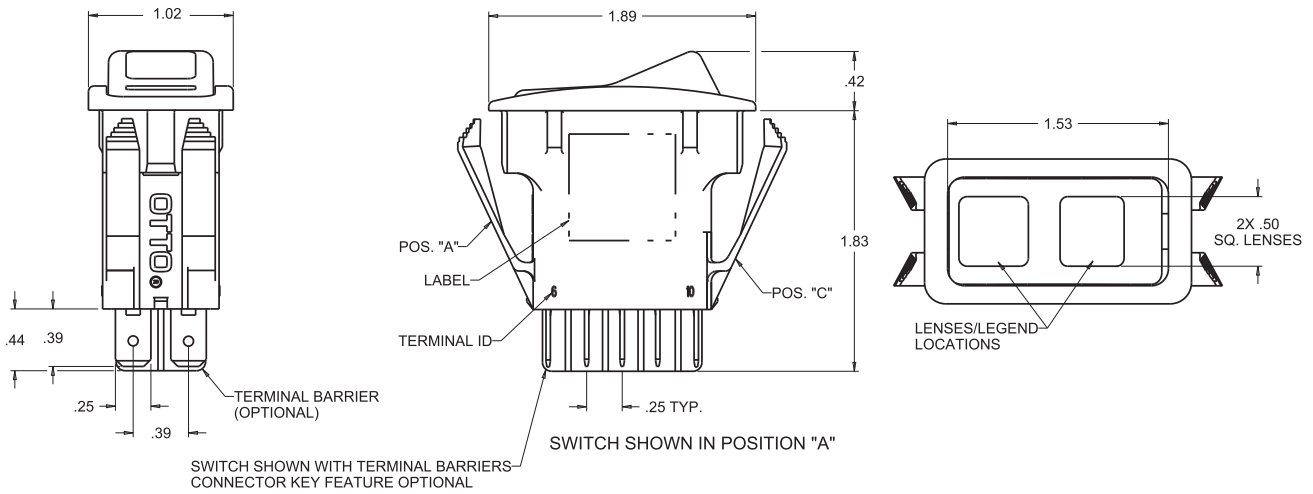
• K3 panel plugs available as shown in Panel Plugs (PP) section.

Recommended Quick Connect Terminals:
AMP 60253-2 for 12-16 AWG
AMP 42100-2 for 14-18 AWG

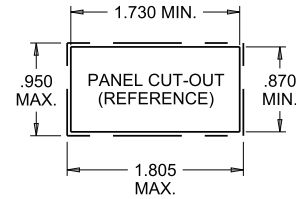
SEALED, ILLUMINATED ROCKER SWITCHES

K3
SEALED
ROCKERS

SNAP-IN PANEL MOUNTING, ATTRACTIVE & RUGGED FOR WET & DUSTY ENVIRONMENTS



MOUNTING OPENING:
 PANEL THICKNESS RANGE OF .025 - .105 A GASKET IS RECOMMENDED
 PANEL THICKNESS RANGE OF .105 - .187 W/O GASKET
 PANEL OPENING: MIN. TYP. MAX.
 WIDTH .870 .937 .950
 LENGTH 1.730 1.768 1.805



<p>K3...1M...-...</p> <p>POS "A" POS "B" POS "C"</p> <p>SPECIAL CIRCUIT - ON-ON-ON SCHEMATIC</p>	<p>K3...2A...-...</p> <p>DPST-ON-NONE-OFF SCHEMATIC</p>	<p>K3...2B...-...</p> <p>DPDT-ON-NONE-ON SCHEMATIC</p>	<p>K3...2C...-...</p> <p>DPST-(ON)-NONE-OFF SCHEMATIC</p>	<p>K3...2D...-...</p> <p>DPDT-(ON)-NONE-ON SCHEMATIC</p>
<p>GENERAL SCHEMATIC INFORMATION</p> <p>○—○ INDICATES MAINTAIN ACTION (FIXED POSITION) ▼—○ INDICATES MOMENTARY ACTION (AUTOMATIC RETURN POSITION)</p> <p>FOR OTHER LIGHTING SCHEMATICS REPLACE FOLLOWING SYMBOLS:</p> <p>⊕ INCANDESCENT (REPLACE RESISTOR & LED) ⊕ NEON (REPLACE LED)</p>	<p>K3...2E...-...</p> <p>DPDT-(ON)-OFF-(ON) SCHEMATIC</p>	<p>K3...2F...-...</p> <p>DPDT-ON-OFF-ON SCHEMATIC</p>	<p>K3...2G...-...</p> <p>DPDT-(ON)-OFF-ON SCHEMATIC</p>	<p>K3...2BND-Z</p> <p>DPDT-ON-NONE-ON SCHEMATIC W/INDEPENDENT LED IN "A"</p>
<p>K3...2BNE-Z</p> <p>DPDT-ON-NONE-ON SCHEMATIC W/INDEPENDENT LED IN "C"</p>	<p>K3...2BNF...-...</p> <p>DPDT-ON-NONE-ON SCHEMATIC W/DEPENDENT LED IN "A" & "C"</p>	<p>K3...2BNG...-...</p> <p>DPDT-ON-NONE-ON SCHEMATIC W/INDEPENDENT LED IN "A" & "C"</p>	<p>K3...2BNH...-...</p> <p>DPDT-ON-NONE-ON SCHEMATIC W/INDEPENDENT LED IN "A" & DEPENDENT LED IN "C"</p>	<p>K3...2BNJ...-...</p> <p>DPDT-ON-NONE-ON SCHEMATIC W/INDEPENDENT LED IN "A" & "C"</p>