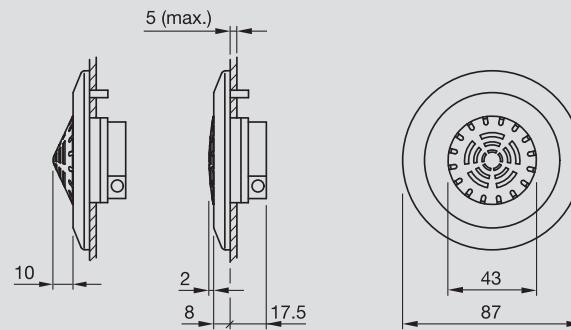
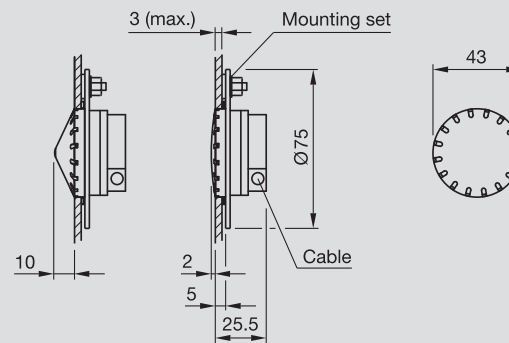


Series 56 MTSM | Product Overview

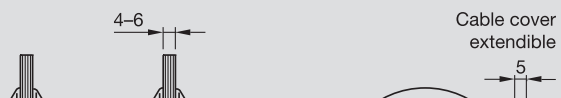
Panel front mounting



Panel rear mounting



Glass mounting



Series 56 Multi-Tone Sound Module Product Overview



Front Panel Mounting
5 Tone Sequences

Rear Panel Mounting
5 Tone Sequences

Glass Mounting
5 Tone Sequences

Front Panel Mounting
3 Tone Sequences

Mechanical Characteristics

Wire cross-section	6 × 0,5 mm ²		6 × 0,5 mm ²		6 × 0,5 mm ²		4 × 0,5 mm ² /0,25 mm ²	
Connection	Without connector		Without connector		Without connector		Without connector	
Fastening screws	3 St. M4 × 8 mm		3 St. M4 × 8 mm		3 pcs.M4 × 20 mm (glass >5mm) 3 pcs.M4 × 20 mm (glass >4mm)		3 St. M4 × 8 mm	
Torque	80 Ncm – 100 Ncm		80 Ncm – 100 Ncm		50 Ncm		80 Ncm – 100 Ncm	
Mounting tool	Allen key 2,5 mm		Allen key 2,5 mm		Allen key 2,5 mm		Allen key 2,5 mm	
Mounting diameter	∅ 43,1 mm		∅ 43,1 mm		∅ 62,5 mm		∅ 43,1 mm	

Material

Connecting wire	Halogen-free, flame-retardant Polyolefin mix		Halogen-free, flame-retardant Polyolefin mix		Halogen-free, flame-retardant Polyolefin mix		Halogen-free, flame-retardant Polyolefin mix	
Lens	Polycarbonate (PC), according to UL94 V0		Polycarbonate (PC), according to UL94 V0		Polycarbonate (PC), according to UL94 V0		Polycarbonate (PC), according to UL94 V0	
Bezel	Zinc matt chromed or Polybutylerephthalat (PBT) according to UL94 V0		Zinc matt chromed or Polybutylerephthalat (PBT) according to UL94 V0		Zinc matt chromed or Polybutylerephthalat (PBT) according to UL94 V0		Zinc matt chromed or Polybutylerephthalat (PBT) according to UL94 V0	
Housing	Polycarbonate (PC), according to UL94 V0		Polycarbonate (PC), according to UL94 V0		Polycarbonate (PC), according to UL94 V0		Polycarbonate (PC), according to UL94 V0	

Electric and acoustic data

Sound output	Frequency range	500 – 3000 Hz		500 – 3000 Hz		500 – 3000 Hz		500 – 3000 Hz	
	Sound level adjustment	66 – 90 dB @ 10cm @ 1kHz		66 – 90 dB @ 10cm @ 1kHz		66 – 90 dB @ 10cm @ 1kHz		66 – 90 dB @ 10cm @ 1kHz	
	Sound steps	5 steps, 6 dB each		5 steps, 6 dB each		5 steps, 6 dB each		17 steps, 1,5 dB each	
Operating voltage	24VDC		24VDC		24VDC		12/24/36/48/72/96/110VDC		
Operating voltage tolerance	+/- 30 %		+/- 30 %		+/- 30 %		+/- 30 %		
Current consumption	< 50 mA		< 50 mA		< 50 mA		< 50 mA		
Dielectric strength relating to front	4000 VAC, 50 Hz		4000 VAC, 50 Hz		4000 VAC, 50 Hz		4000 VAC, 50 Hz		

Environmental Conditions

Operating temperature	-40 °C...+85 °C		-40 °C...+85 °C		-40 °C...+85 °C		-40 °C...+85 °C		
Storage temperature	-45 °C...+90 °C		-45 °C...+90 °C		-45 °C...+90 °C		-45 °C...+90 °C		
Degree of protection	Front	IP69K		IP69K		IP69K		IP40/IP69K	
	Rear	IP65		IP65		IP65		IP65	
Climate resistance	EN IEC 60068-2-78	X		X		X		X	
Climate consistency	EN IEC 60068-2-30	X		X		X		X	
Shock resistance	EN IEC 60068-2-27	X		X		X		X	
Vibration resistance	EN IEC 60068-2-6	X		X		X		X	

Approvals

Certificates	CE/RoHS		CE/RoHS		CE/RoHS		RoHS/TSI PRM	
Approvals							CE	

Accessories

Front rings (front mounting type)	Colour	87 × 87 mm	∅ 87 mm	Braille		87 × 87 mm	∅ 87 mm	Braille	87 × 87 mm	∅ 87 mm	Braille
	Blue	X	X			X	X		X	X	