

Series 17
Versatile. Robust and bright.

<https://eao.com/>



17 Information about the Series

Key advantages

- Resistant
- Easy to mount
- Versatile
- Long service life
- Metal or plastic body
- Chrome or black finish

Typical application areas

- Mechanical engineering
- Control cabinets
- Measurement technology
- Medical engineering
- And much more

Functions

- Indicator

Design

- Flush
- Raised

IP front protection

- IP40
- IP67

Rating

- No switch rating

Mounting cut-outs

- Ø 6 mm
- Ø 8 mm
- Ø 14 mm
- Ø 16,2 mm
- Ø 22,3 mm

Terminal

- Plug-in terminal

Lens Material

- No lens

Markings

- No marking

Approvals

- UL
- VDE

Conformities

- CE
- UKCA
- 2014/35/EU (LVD) for version 230 VAC
- 2011/65/EU (RoHS)



Raised design	
Indicator 6 mm LED 3 mm	348
Indicator 8 mm LED 5 mm	350
Indicator 14 mm LED 10 mm	354
Indicator 16 mm LED 10 mm	356
Indicator 6 mm LED 3 mm	359
Accessories	361
Technical data	363

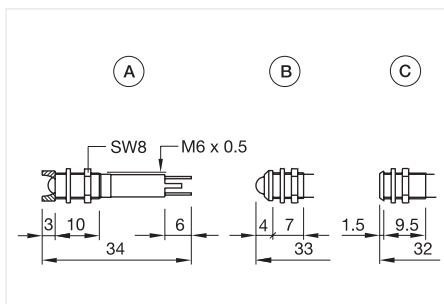
- 01
- 02
- 03
- 04
- 09
- 14
- 17**
- 18
- 19
- 22
- 31
- 41
- 45
- 51
- 56
- 57
- 61
- 70
- 71
- 82
- 84
- 92
- 96

17 Raised design

Indicator 6 mm LED 3 mm, IP40



Product can differ from the current configuration.



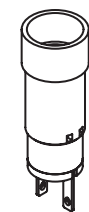
Dimensions [mm]

A = Interior

B = Exterior

C = Superflat

Equipment consisting of (schematic overview)



Actuator



Retaining ring

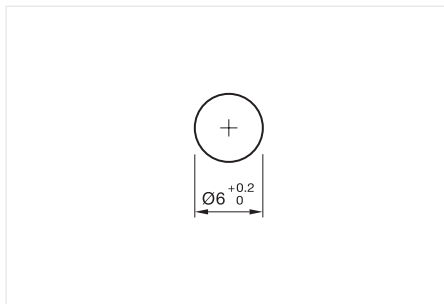


Fixing nut

Each Part Number listed below includes all the black components shown in the 3D-drawing.

General information

- Connectors: Brass terminal = anode (+); brass tinned terminal = cathode (-)
- Terminal: Plug-in terminal 2.0 mm x 0.5 mm



Mounting cut-outs [mm]



Actuator, Front dimension Ø 7 mm

Reflector	Illumination colour	Operating voltage	Operation current	Lumi. Intensity	Part No.	Wiring diagram	Component Layout
Metal, polished chromium-plated, internal	Red	24 V AC/DC ±10 %	15 mA ±15 %	8 mcd	17-030350	70	
	Green	24 V AC/DC ±10 %	15 mA ±15 %	6 mcd	17-030351	70	
	Yellow	24 V AC/DC ±10 %	15 mA ±15 %	6 mcd	17-030352	70	
	White	24 V AC/DC ±10 %	15 mA ±15 %	410 mcd	17-03035W	70	



Actuator, Front dimension Ø 7 mm

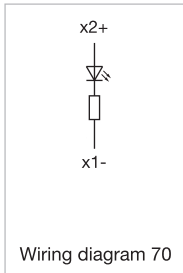
Reflector	Illumination colour	Operating voltage	Operation current	Lumi. Intensity	Part No.	Wiring diagram
Metal, polished chromium-plated, domed	Red	24 V AC/DC ±10 %	15 mA ±15 %	8 mcd	17-020350	70
	Green	24 V AC/DC ±10 %	15 mA ±15 %	6 mcd	17-020351	70
	White	24 V AC/DC ±10 %	15 mA ±15 %	410 mcd	17-02035W	70



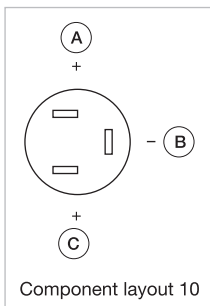
Actuator, Front dimension Ø 7 mm

Reflector	Illumination colour	Operating voltage	Operation current	Lumi. Intensity	Part No.	Wiring diagram
Metal, polished chromium-plated, flat top LED	Red	24 V AC/DC ±10 %	15 mA ±15 %	8 mcd	17-000350	70
	Green	24 V AC/DC ±10 %	15 mA ±15 %	6 mcd	17-000351	70
	Yellow	24 V AC/DC ±10 %	15 mA ±15 %	6 mcd	17-000352	70

Wiring diagrams



Component layouts



A = Yellow
 B = common cathode
 C = Green

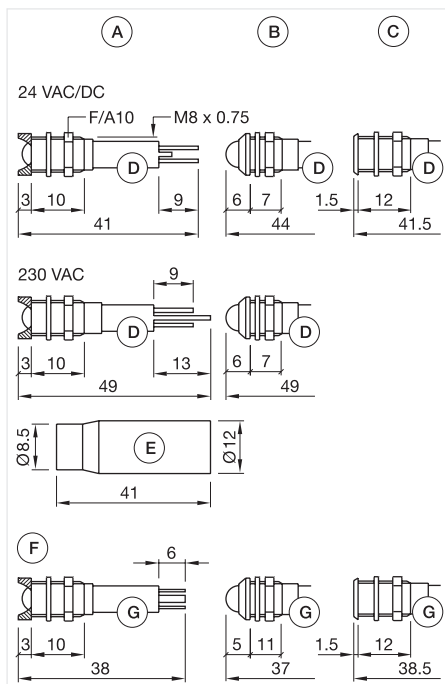
- 01
- 02
- 03
- 04
- 09
- 14
- 17**
- 18
- 19
- 22
- 31
- 41
- 45
- 51
- 56
- 57
- 61
- 70
- 71
- 82
- 84
- 92
- 96

17 Raised design

Indicator 8 mm LED 5 mm, IP67



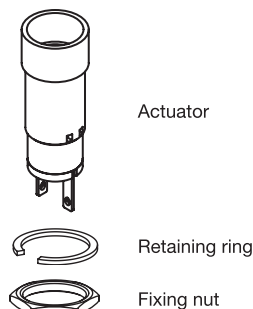
Product can differ from the current configuration.



Dimensions [mm]

- A = Interior
- B = Exterior
- C = Superflat
- D = Plug-in terminal 2.8 mm x 0.8 mm
- E = Multi-colour
- F = Protection tube
- G = Plug-in terminal 2.0 mm x 0.5 mm

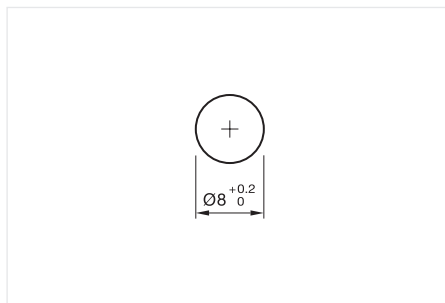
Equipment consisting of (schematic overview)



Each Part Number listed below includes all the black components shown in the 3D-drawing.

General information

- Connectors: Brass terminal = anode (+); brass tinned terminal = cathode (-)
- Terminal: Plug-in terminal 2.8 mm x 0.8 mm (Single-LED)
- Terminal: Plug-in terminal 2.0 mm x 0.5 mm (Bi-colour LED)



Mounting cut-outs [mm]



Actuator, Front dimension Ø 9,5 mm

Product attributes	Reflector	Illumination colour	Operating voltage	Operation current	Lumi. Intensity	Part No.	Wiring diagram	Component Layout
	Metal, polished chromium-plated, internal	Red	24 V DC ±10 %	20 mA ±15 %	80 mcd	17-050350	70	
	Metal, polished chromium-plated, internal	Red	24 V AC ±10 %	19 mA ±15 %	76 mcd	17-050360	55	
	Metal, polished chromium-plated, internal	Green	24 V DC ±10 %	19 mA ±15 %	32 mcd	17-050351	70	
	Metal, polished chromium-plated, internal	Green	24 V AC ±10 %	20 mA ±15 %	30 mcd	17-050361	55	
	Metal, polished chromium-plated, internal	Yellow	24 V DC ±10 %	20 mA ±15 %	32 mcd	17-050352	70	

Product attributes	Reflector	Illumination colour	Operating voltage	Operation current	Lumi. Intensity	Part No.	Wiring diagram	Component Layout
	Metal, polished chromium-plated, internal	Yellow	24 V AC ±10 %	19 mA ±15 %	30 mcd	17-050362	55	
	Metal, polished chromium-plated, internal	Blue	24 V DC ±10 %	20 mA ±15 %	60 mcd	17-050357	70	
	Metal, polished chromium-plated, internal	Blue	24 V AC ±10 %	20 mA ±15 %	57 mcd	17-050367	55	
	Metal, polished chromium-plated, internal	Red / Green	24 V DC ±10 %	22 mA ±15 %	30/11 mcd	17-130354	128	8
Sunlight visibility, light reduction of around 25 % by use of AC	Metal, polished chromium-plated, internal	Red	24 - 17 V AC/DC ±10 %	9 mA ±15 %	1200 mcd	17-090350	55	
	Metal, polished chromium-plated, internal	Yellow	24 - 17 V AC/DC ±10 %	9 mA ±15 %	1100 mcd	17-090352	55	
	Metal, polished chromium-plated, internal	Green	24 - 17 V AC/DC ±10 %	9 mA ±15 %	1300 mcd	17-090355	55	
	Metal, polished chromium-plated, internal	White	24 - 17 V AC/DC ±10 %	9 mA ±15 %	1000 mcd	17-09035W	55	
With terminals protection tube	Metal, polished chromium-plated, internal	Red	230 V AC ±10 %	3 mA ±15 %	22 mcd	17-500430	55	
	Metal, polished chromium-plated, internal	Green	230 V AC ±10 %	3 mA ±15 %	5 mcd	17-500431	55	
	Metal, polished chromium-plated, internal	Yellow	230 V AC ±10 %	3 mA ±15 %	7 mcd	17-500432	55	
	Metal, black chromium-plated, internal	Green	24 V AC/DC ±10 %	20 mA ±15 %	32 mcd	17-051351	70	
	Metal, black chromium-plated, internal	Yellow	24 V AC/DC ±10 %	20 mA ±15 %	32 mcd	17-051352	70	



Actuator, Front dimension Ø 9,5 mm

Product attributes	Reflector	Illumination colour	Operating voltage	Operation current	Lumi. Intensity	Part No.	Wiring diagram	Component Layout
	Metal, polished chromium-plated, domed	Red	24 V DC	20 mA ±15 %	80 mcd	17-040350	70	
	Metal, polished chromium-plated, domed	Red	24 V AC	19 mA ±15 %	76 mcd	17-040360	55	
	Metal, polished chromium-plated, domed	Green	24 V DC	20 mA ±15 %	32 mcd	17-040351	70	
	Metal, polished chromium-plated, domed	Green	24 V AC	19 mA ±15 %	30 mcd	17-040361	55	
	Metal, polished chromium-plated, domed	Yellow	24 V DC	20 mA ±15 %	32 mcd	17-040352	70	
	Metal, polished chromium-plated, domed	Blue	24 V DC	20 mA ±15 %	60 mcd	17-040357	70	
	Metal, polished chromium-plated, domed	Red / Green	24 V DC	22 mA ±15 %	30/11 mcd	17-120354	128	8
	Metal, polished chromium-plated, domed	Red / Yellow	24 V DC	22 mA ±15 %	11/10 mcd	17-120355	128	9
	Metal, polished chromium-plated, domed	Yellow / Green	24 V DC	22 mA ±15 %	20/15 mcd	17-120356	128	10

17 Raised design

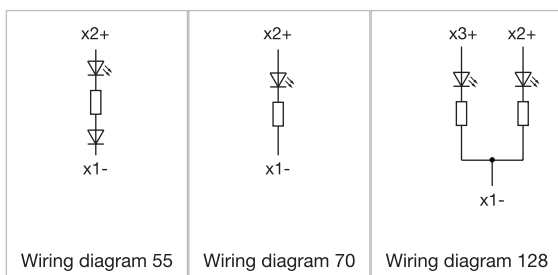
Product attributes	Reflector	Illumination colour	Operating voltage	Operation current	Lumi. Intensity	Part No.	Wiring diagram
Sunlight visibility	Metal, polished chromium-plated, domed	Red	24 V AC/DC ± 10 %	9 - 17 mA ± 15 %	1200 mcd	17-080350	55
	Metal, polished chromium-plated, domed	Yellow	24 V AC/DC ± 10 %	9 - 17 mA ± 15 %	1100 mcd	17-080352	55
	Metal, polished chromium-plated, domed	Green	24 V AC/DC ± 10 %	9 - 17 mA ± 15 %	1300 mcd	17-080355	55
	Metal, polished chromium-plated, domed	Blue	24 V AC/DC ± 10 %	9 - 17 mA ± 15 %	600 mcd	17-080357	55
	Metal, polished chromium-plated, domed	White	24 V AC/DC ± 10 %	3 - 6 mA ± 15 %	1000 mcd	17-08035W	55
With terminals protection tube	Metal, polished chromium-plated, domed	Red	230 V AC ± 10 %	3 mA ± 15 %	22 mcd	17-510430	55
	Metal, polished chromium-plated, domed	Green	230 V AC ± 10 %	3 mA ± 15 %	5 mcd	17-510431	55
	Metal, black chromium-plated, domed	Red	24 V AC ± 10 %	20 mA ± 15 %	80 mcd	17-041350	70
	Metal, black chromium-plated, domed	Green	24 V AC ± 10 %	20 mA ± 15 %	32 mcd	17-041351	70
	Metal, black chromium-plated, domed	Yellow	24 V AC ± 10 %	20 mA ± 15 %	32 mcd	17-041352	70



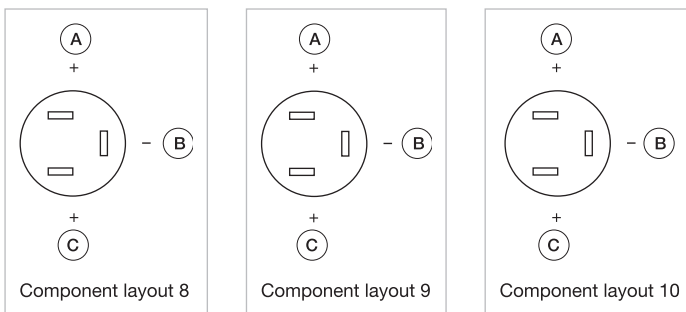
Actuator, Front dimension $\varnothing 9,5$ mm

Reflector	Illumination colour	Operating voltage	Operation current	Lumi. Intensity	Part No.	Wiring diagram	Component Layout
Metal, polished chromium-plated, flat top LED	Red	24 V AC ± 10 %	20 mA ± 15 %	13 mcd	17-010350	70	
	Green	24 V AC ± 10 %	20 mA ± 15 %	8 mcd	17-010351	70	
	Yellow	24 V AC ± 10 %	20 mA ± 15 %	8 mcd	17-010352	70	
	Red / Yellow / Green	24 V AC ± 10 %	15 mA ± 15 %	3/3/6 mcd	17-100354	128	8

Wiring diagrams



Component layouts



A = Red
B = common cathode
C = Green

A = Red
B = common cathode
C = Yellow

A = Yellow
B = common cathode
C = Green

- 01
- 02
- 03
- 04
- 09
- 14
- 17**
- 18
- 19
- 22
- 31
- 41
- 45
- 51
- 56
- 57
- 61
- 70
- 71
- 82
- 84
- 92
- 96

Follow us.
We are on YouTube!
EAO ermöglicht. Seit 1947.

Come take a look at our YouTube profile today! *Be sure to give us a follow so that you can fully interact with us.*

<https://www.youtube.com/user/eaoswitches>

www.eao.com

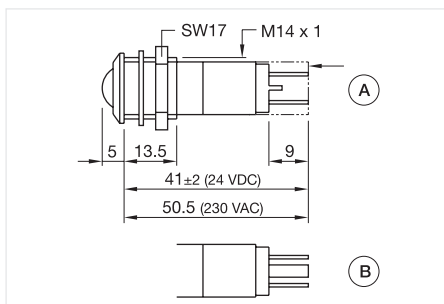
Your Expert Partner for Human Machine Interfaces

17 Raised design

Indicator 14 mm LED 10 mm, IP67



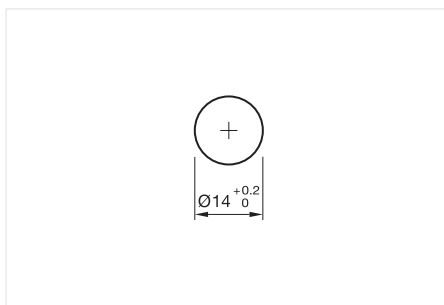
Product can differ from the current configuration.



Dimensions [mm]
A = Protection tube (only 230 VAC)
B = Tri-colour

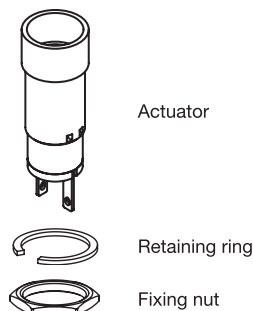
General information

- Connectors: Brass terminal = anode (+); brass tinned terminal = cathode (-)
- Terminal: Plug-in terminal 2.8 mm x 0.8 mm



Mounting cut-outs [mm]

Equipment consisting of (schematic overview)



Each Part Number listed below includes all the black components shown in the 3D-drawing.



Actuator, Front dimension Ø 16 mm

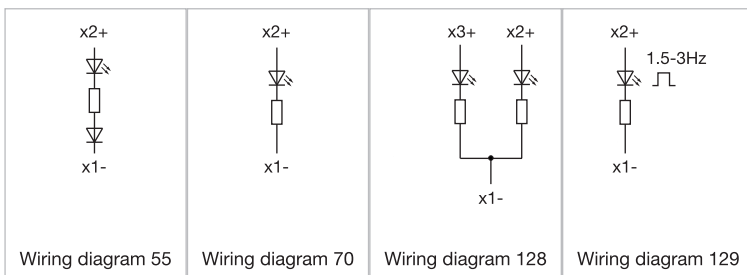
Product attributes	Reflector	Illumination colour	Operating voltage	Operation current	Lumi. Intensity	Part No.	Wiring diagram	Component Layout
	Metal, polished chromium-plated	Red	24 V DC ±10 %	20 mA ±15 %	150 mcd	17-210350	70	
	Metal, polished chromium-plated	Green	24 V DC ±10 %	20 mA ±15 %	70 mcd	17-210351	70	
	Metal, polished chromium-plated	Yellow	24 V DC ±10 %	20 mA ±15 %	70 mcd	17-210352	70	
	Metal, black chromium-plated	Red	24 V DC ±10 %	9 - 17 mA ±15 %	100 mcd	17-221350	129	
Tri-colour LED	Metal, polished chromium-plated	Red / Yellow / Green	24 V DC ±10 %	9 - 17 mA ±15 %	90/60/150 mcd	17-240354	128	8
Sunlight visibility	Metal, polished chromium-plated	Red	24 V AC/DC	9 - 17 mA ±15 %	700 mcd	17-2A0350	55	
	Metal, polished chromium-plated	Yellow	24 V AC/DC	9 - 17 mA ±15 %	1000 mcd	17-2A0352	55	
	Metal, polished chromium-plated	Green	24 V AC/DC	9 - 17 mA ±15 %	1250 mcd	17-2A0355	55	
	Metal, polished chromium-plated	Blue	24 V AC/DC	9 - 17 mA ±15 %	500 mcd	17-2A0357	55	
	Metal, polished chromium-plated	White	24 V AC/DC	9 - 17 mA ±15 %	1350 mcd	17-2A035W	55	



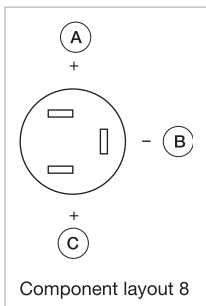
Actuator, Front dimension Ø 16 mm

Product attributes	Reflector	Illumination colour	Operating voltage	Operation current	Lumi. Intensity	Part No.	Wiring diagram
With terminals protection tube	Metal, polished chromium-plated	Red	230 V AC	3 mA ±15 %	18 mcd	17-350230	55
	Metal, polished chromium-plated	Green	230 V AC	3 mA ±15 %	11 mcd	17-350231	55
	Metal, polished chromium-plated	Yellow	230 V AC	3 mA ±15 %	8 mcd	17-350233	55
	Metal, black chromium-plated	Green	230 V AC	3 mA ±15 %	11 mcd	17-351231	55
	Metal, black chromium-plated	Yellow	230 V AC	3 mA ±15 %	8 mcd	17-351233	55

Wiring diagrams



Component layouts



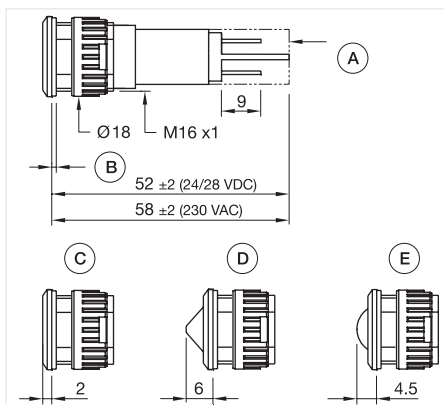
A = Red
 B = common cathode
 C = Green

17 Raised design

Indicator 16 mm LED 10 mm, IP67

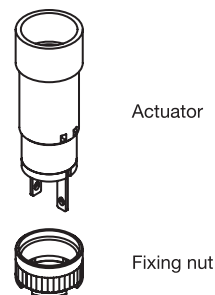


Product can differ from the current configuration.



Dimensions [mm]
 A = Protection tube (only 230 VAC)
 B = 1 gasket
 C = Flat
 D = Conical
 E = Round

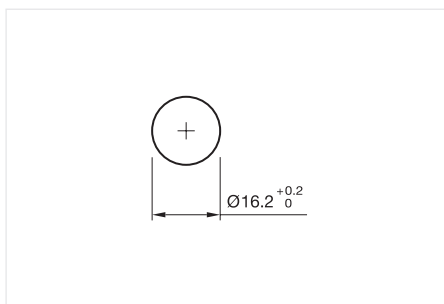
Equipment consisting of (schematic overview)



Each Part Number listed below includes all the black components shown in the 3D-drawing.

General information

- Maximum panel thickness 6 mm
- Connectors: Brass terminal = anode (+); brass tinned terminal = cathode (-)
- Terminal: Plug-in terminal 2.8 mm x 0.8 mm



Actuator, Front dimension Ø 18,3 mm

Product attributes	Reflector	Illumination colour	Operating voltage	Operation current	Lumi. Intensity	Part No.	Wiring diagram
	Plastic, Black	Red	24 V DC ±10 %	16 mA ±15 %	870 mcd	17-381350Z	70
	Plastic, Black	Green	24 V DC ±10 %	15 mA ±15 %	870 mcd	17-381351Z	70
	Plastic, Black	Yellow	24 V DC ±10 %	16 mA ±15 %	1250 mcd	17-381352Z	70
	Plastic, Black	White	24 V DC ±10 %	14 mA ±15 %	1290 mcd	17-38135WZ	70
With terminals protection tube	Plastic, Black	Red	230 V AC ±10 %	3 mA ±15 %	140 mcd	17-411230Z	55
	Plastic, Black	Green	230 V AC ±10 %	3 mA ±15 %	120 mcd	17-411231Z	55
	Plastic, Black	Yellow	230 V AC ±10 %	3 mA ±15 %	130 mcd	17-411232Z	55
	Plastic, Black	Blue	230 V AC ±10 %	3 mA ±15 %	150 mcd	17-411237Z	55
	Plastic, Black	White	230 V AC ±10 %	3 mA ±15 %	280 mcd	17-41123WZ	55



Actuator, Front dimension Ø 18,3 mm

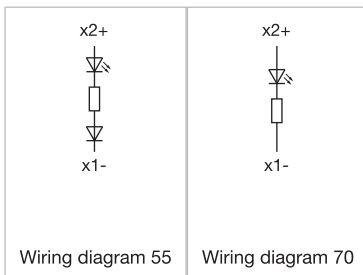
Product attributes	Reflector	Illumination colour	Operating voltage	Operation current	Lumi. Intensity	Part No.	Wiring diagram
	Plastic, Black	Red	24 V DC ±10 %	16 mA ±15 %	1470 mcd	17-391350Z	70
	Plastic, Black	Green	24 V DC ±10 %	16 mA ±15 %	820 mcd	17-391351Z	70
	Plastic, Black	Yellow	24 V DC ±10 %	3 mA ±15 %	1640 mcd	17-391352Z	70
With terminals protection tube	Plastic, Black	Red	230 V AC ±10 %	3 mA ±15 %	240 mcd	17-421230Z	55



Actuator, Front dimension Ø 18,3 mm

Product attributes	Reflector	Illumination colour	Operating voltage	Operation current	Lumi. Intensity	Part No.	Wiring diagram
	Plastic, Black	Red	24 V DC ±10 %	16 mA ±15 %	1200 mcd	17-371350Z	70
	Plastic, Black	Green	24 V DC ±10 %	15 mA ±15 %	980 mcd	17-371351Z	70
With terminals protection tube	Plastic, Black	Red	230 V AC ±10 %	3 mA ±15 %	240 mcd	17-401230Z	55
	Plastic, Black	Green	230 V AC ±10 %	3 mA ±15 %	150 mcd	17-401231Z	55
	Plastic, Black	Yellow	230 V AC ±10 %	3 mA ±15 %	210 mcd	17-401232Z	55



Wiring diagrams



- 01
- 02
- 03
- 04
- 09
- 14
- 17
- 18
- 19
- 22
- 31
- 41
- 45
- 51
- 56
- 57
- 61
- 70
- 71
- 82
- 84
- 92
- 96



Follow us.
We are on LinkedIn!
EAO creates possibilities. Since 1947.



Come take a look at our LinkedIn profile today! *Be sure to give us a follow so that you can fully interact with us.*

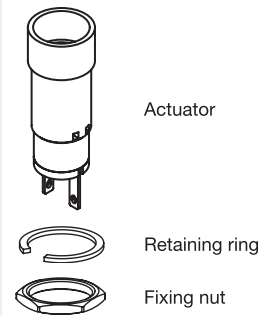
<https://www.linkedin.com/company/eao/>

eao ■
Your Expert Partner for Human Machine Interfaces

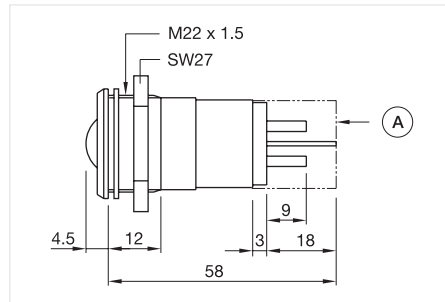
www.eao.com

Indicator 6 mm LED 3 mm, IP67

Equipment consisting of (schematic overview)



Each Part Number listed below includes all the black components shown in the 3D-drawing.



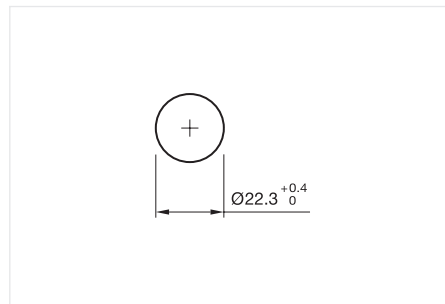
Dimensions [mm]
A = Protection tube



Product can differ from the current configuration.

General information

- Maximum panel thickness 6 mm
- Connectors: Brass terminal = anode (+); brass tinned terminal = cathode (-)
- Terminal: Plug-in terminal 2.8 mm x 0.8 mm



Mounting cut-outs [mm]



Actuator, Front dimension Ø 25 mm

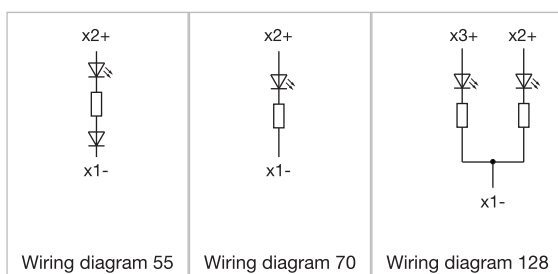
Reflector	Illumination colour	Operating voltage	Operation current	Lumi. Intensity	Part No.	Wiring diagram	Component Layout
Metal, polished chromium-plated	Red	24 V DC ±10 %	19 mA ±15 %	160 mcd	17-530350	70	11
	Green	24 V DC ±10 %	19 mA ±15 %	120 mcd	17-530351	70	11
	Yellow	24 V DC ±10 %	19 mA ±15 %	350 mcd	17-530352	70	11
	Red / Yellow / Green	24 V DC ±10 %	24 - 50 mA ±15 %	51/92/120 mcd	17-540354	128	12



Actuator, Front dimension Ø 25 mm

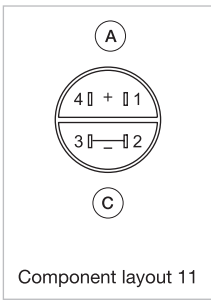
Product attributes	Reflector	Illumination colour	Operating voltage	Operation current	Lumi. Intensity	Part No.	Wiring diagram	Component Layout
With terminals protection tube	Metal, polished chromium-plated	Green	230 V AC ±10 %	4 mA ±15 %	20 mcd	17-570231	55	11

Wiring diagrams

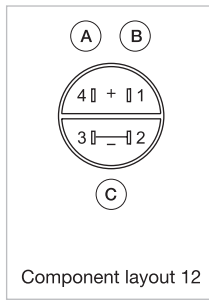


17 Raised design

Component layouts



A = Anode
B = Cathode



A = Green
B = Red
C = common cathode

Rear side



Insulation sleeve

Product attributes	Material	Part No.
2.0 x 0.5 mm plug-in terminal	metal	31-945
2.8 x 0.8 mm plug-in terminal	metal	84-9420



Terminal cover

Product attributes	Material	Part No.
For flat receptacle 2.0 mm	plastic	31-928
For flat receptacle 2.8 mm	plastic	31-929

- 01
- 02
- 03
- 04
- 09
- 14
- 17
- 18
- 19
- 22
- 31
- 41
- 45
- 51
- 56
- 57
- 61
- 70
- 71
- 82
- 84
- 92
- 96



EAO Downloads.
www.eao.com/downloads
EAO creates possibilities. Since 1947.



[On our website you can download technical data, assembly instructions, catalogs, brochures and much more.](#)

17 Accessories

Mounting



Fixing nut

Dimensions	Material	Thread	Part No.
Ø 9 mm	metal	M8 x 13 mm	19-991



Mounting tool

Product attributes	Dimensions	Material	Part No.
For tightening or loosening of the fixing nut Ø 16 mm	Ø 16 mm	metal	01-907
For fixing nut long Part No. 19-991		metal	19-905

Indicator

Material

Actuator

Reflector Brass high-gloss chrome-plated or black chrome-plated Ø 16mm indicator. Additional reflectors made of black plastic. The plastic is limited resistant to chemicals.

Mechanical characteristics

Terminals

Plug-in terminal 2.0 mm x 0.5 mm oder 2.8mm x 0.8 mm.
The indicators with tab-connection are not qualified for soldering.

Tightening torque

0.2 Ncm

Electrical characteristics

Polarity

Anode (+) Brass plug-in connector
Cathode (-) Brass tinned plug-in connector

Optical characteristics

Wave length

Red	660 nm
Super red	625 nm
Hyper red	660 nm
Orange	625 nm (operated at 230 V: 610 nm)
Green	565 nm
Yellow/Green	570 nm (operated at 230 V: 575 nm)
Yellow	590 nm
Blue	475 nm
Red/Green	660/565 nm
Red/Yellow	660/590 nm

Ambient conditions

Storage temperature

-25 °C ... +80 °C

Service temperature

-20 °C ... +60 °C

Protection degree

IP40 front side
IP67 as per DIN EN 60529 - Gap between LED and reflector and gap between reflector and frontplate sealed to IP67 when using the supplied gasket.

Approvals

Approbations

UL

Conformities

2014/35/EC (230 VAC)
2011/65/EC (RoHS)

EAO reserves the right to alter specifications without further notice.

