

Electronic Display

UAS3V3

Trip amplifier for all physical quantities with digital display, 4 switching outputs and 1 analog output.
Accuracy 0.2 % v. M. E.

Features

8-digit 14-segment LCD display with bargraph and trend indication, microprocessor controlled, self monitoring, all parameters are configured by keypad, display unit selectable, adjustable keypad lock, high accuracy, quick scanning rate (1000/s)

Display range

freely scalable: -9,999...+9,999

Applications

OEM applications,
Hydraulics and pneumatics,
test bed and apparatus engineering,
heavy industry

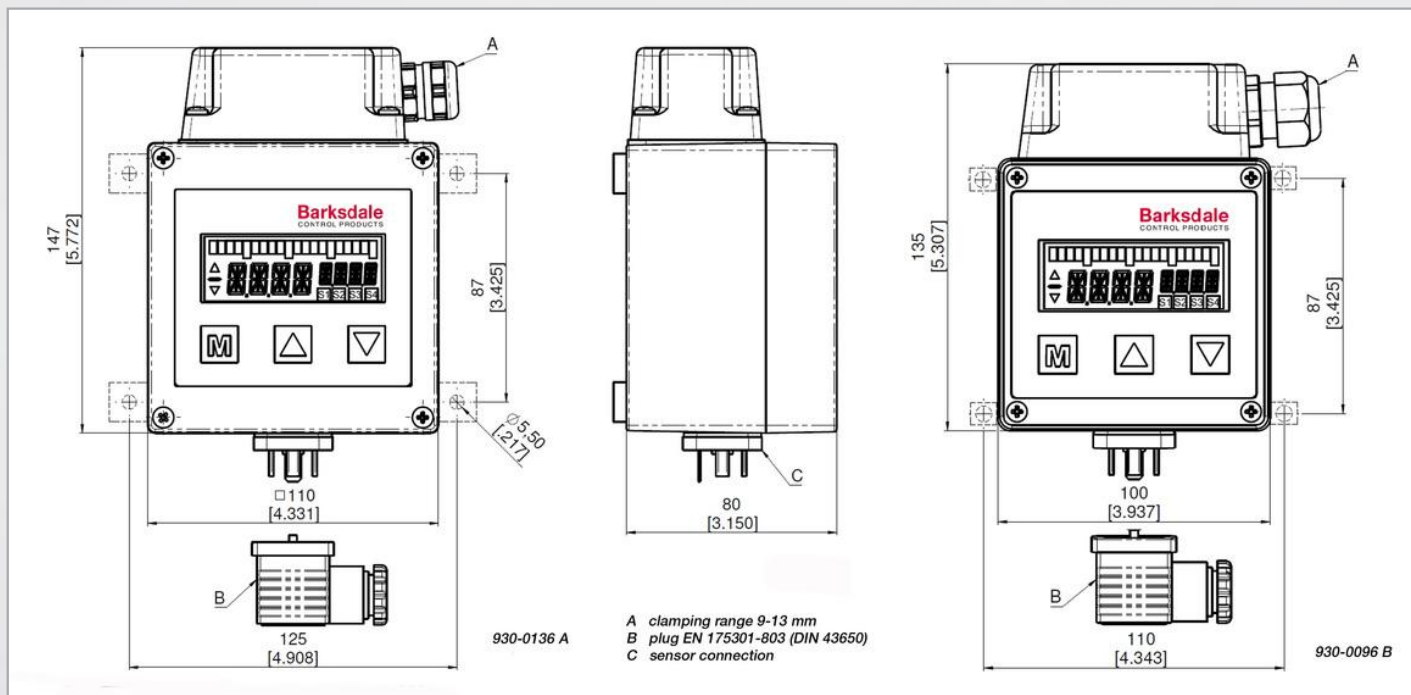


Technical Data

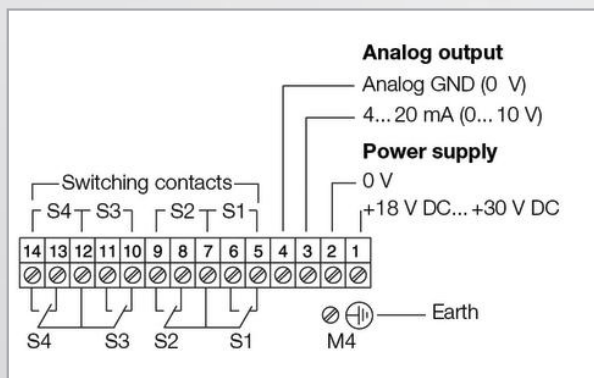
Measuring principle:	Amplifier with 12 bit A/D converter
Materials:	
Electronics housing:	Cast aluminum G AL SI 12
Housing seal:	CR
Keypad:	Polyester
Operating elements:	Keypad with easy-response pushbuttons
System of protection:	IP65
Protection class:	I
Dimensions:	100 x 135 x 80 mm (W x H x D)
Weight:	approx. 1080 g
Analog measuring inputs:	
Current input:	4...20 mA
Voltage input:	0...10 V DC
Linearity error:	< ±0.2 % v. f. s. at 25 °C
A/D converter:	
Resolution:	12 bit (4096 steps per meas. span)
Scanning rate:	1000 / s
On-status display:	8-digit 17-segment LCD display, digit height 12 mm, green
Bargraph:	20-segment for current value
Trend arrows:	last changes
Display range:	-9999... +9999
Display rate:	4/s
Display unit:	all technical units
Sensor connection:	Plug 3-pin, DIN EN 175 301-803-A (prev. DIN 43650), incl. plug connector
Electrical connection:	14-pin screw terminal for 1.5 mm ² AWG14, plug-in type

Cable gland:	
Standard:	1 x PG13.5 side entry
Option:	2 x PG13.5 top entry
Temperature influence:	< 0.05 % v. f. s. / 10K
Compensation range:	-10 °C... +70 °C
Repeatability:	≤±0.01 % f. s.
Temperature range:	
Electronics:	-10 °C... +70 °C
Storage:	-30 °C... +80 °C
Power supply:	18... 32 V DC, reversed polarity protected (SELV, PELV)
Power consumption:	approx. 350 mA at Ub = 24 V DC (without load)
Analog output:	
Current output:	4...20 mA
Load:	max. RI = (Ub-12 V) / 20 mA RI = 600 Ohm at Ub = 24 V DC
Load influence:	0.3 % / 100 Ohm
Scanning rate:	1 ms
Voltage output:	0...10 V DC
Rating:	max. 10 mA
Adjustment range:	25 %... 100 % f. s.
4x relay output(s) - change-over contacts (SPDT):	
Switching voltage:	max. 120 V DC / 250 V AC
Switching power:	max. 120 W / 1250 VA
Cycles:	1 mio. at 24 V DC / 2 A
Switching rate:	max. 20 / s
Delay:	0.0 s ... 9.9 s adjustable
Operation time:	1 ms
Status display:	S1... S4 on LCD display
Accessories:	Mounting traverse, vibration damper
Approval:	cULus: file no. E248549

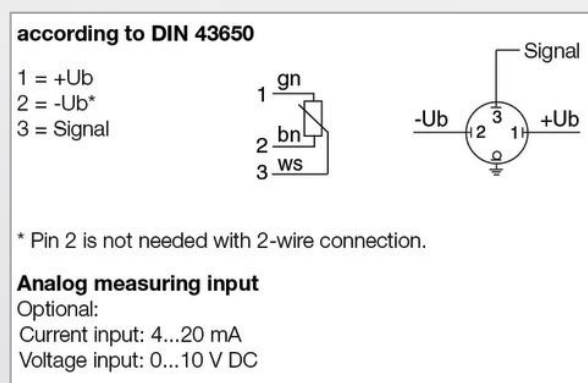
Dimensions (mm / inch)



Electronic connections



Sensor Connection



Order Numbers

Electronic trip amplifier with 4 relays, 1 input and multifunction display		
Analog Input	Analog Output	Order No.
4...20 mA	---	0003-026
4...20 mA	4...20 mA	0003-024
4...20 mA	0...10 V	0003-025
0...10 V	---	0003-032
0...10 V	4...20 mA	0003-030
0...10 V	0...10 V	0003-031

Accessories

Order Number	Description
903-0681	Mounting traverse (1 set = 2 pcs)
914-0107	Vibration damper (1 pack = 4 pcs)