

# Level Switches

## UNS1000-BN18-TC

Level- and temperature switch in telescopic design for monitoring hydraulic tanks („Power Packs“). Modern hydraulic reservoirs have a high specific output volume that can result in high oil temperatures under load. Level- and temperature monitoring is a unrenounceable safety factor for the complete plant. Designed for service and after market.

### Features

for bulkhead unions G1/2",  
high flexibility by telescopic principle,  
compact design,  
suitable for different tank and level heights

### Applications

OEM applications,  
Accessories for hydraulic reservoirs,  
Mineral oil applications



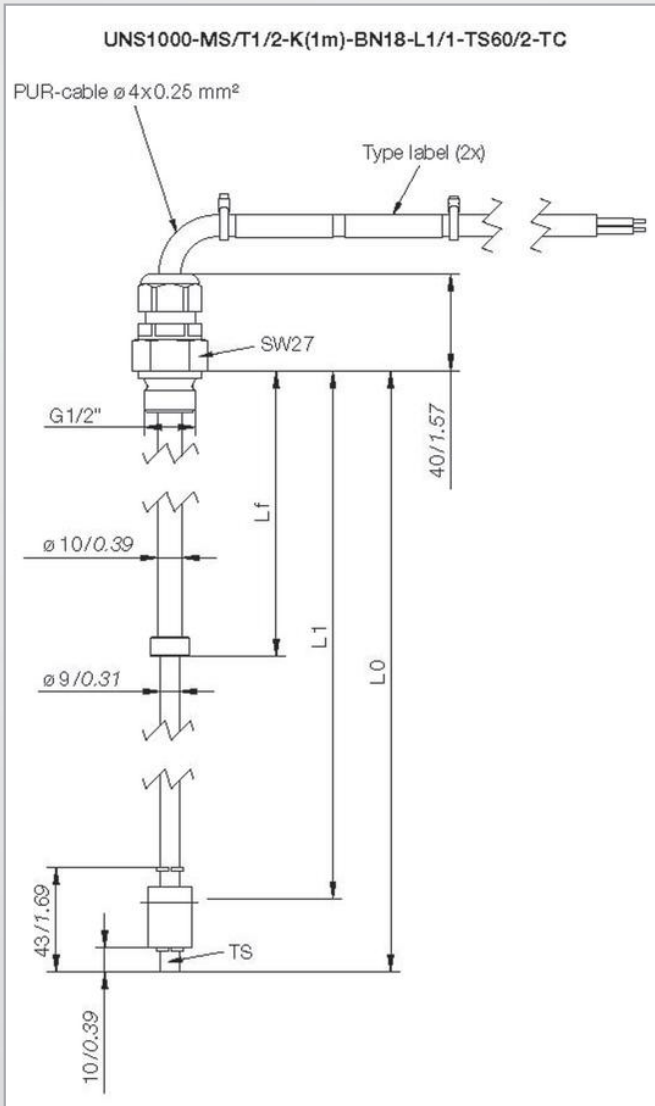
### Technical Data

<b>Materials:</b>	
Bulkhead union:	Brass
Contact tube:	Brass
Float stopper:	Bronze
Float:	foamed NBR
<b>System of protection:</b>	IP65
<b>Housing:</b>	---
<b>Process connection:</b>	
male thread:	G1/2" DIN ISO 228-1 = T1/2
<b>Electrical connection:</b>	Cable $\varnothing$ 4 x 0.25 mm <sup>2</sup> Cable gland, PA
<b>Electrical values:</b>	max. 24 V AC / DC max. 1 A max. 20 VA / W
<b>Operating temperature:</b>	-10 °C ... +90 °C (14 °F ... 194 °F)
<b>Operating pressure:</b>	atmospheric
<b>Density:</b>	min. 0.64 g/cm <sup>3</sup>
<b>Depth of immersion at density 1:</b>	15 ±2 mm
<b>Temperatur switch:</b>	bimetal
Temperature range:	+60°C (140°F)
Indexing tolerance:	±10 K
Differential gap:	30 ±15 K
Contact:	NC (the contact is closed at room temperature)
<b>Switching points:</b>	
Standard:	1 float for 1 switching point
<b>Approval:</b>	---

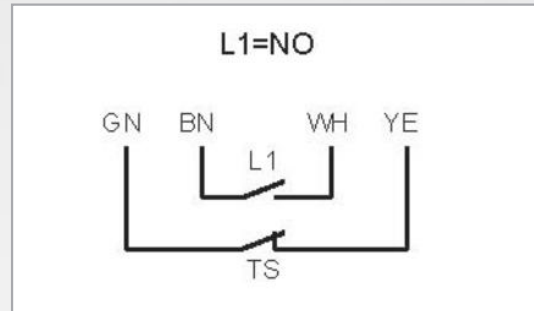
## Level Switches

## UNS1000-BN18-TC

### Dimensions (mm / inch)



### Connection Diagram 1



### Order Code

UNS1000-MS/T1/2-K(1m)-BN18-L1/1-TS60/2-TC

Order No.	Length L0 [mm]	Length L1 [mm]	Length Lf [mm]	Tolerance
0112-987	190 ... 260	160 ... 230	145	±3 mm
0112-988	250 ... 380	220 ... 350	205	±3 mm
0112-989	375 ... 630	345 ... 600	330	±3 mm

UNS1000-MS/T1 NPT-K(1m)-BN18-L1/1(2)-TS60/2-TC

Order No.	Length L0 [mm]	Length L1 [mm]	Length Lf [mm]	Tolerance
0112-1108	170 ... 240	140 ... 210	120	±3 mm
0112-1109	230 ... 360	200 ... 330	185	±3 mm
0112-1110	355 ... 610	325 ... 580	310	±3 mm

Further lengths and temperature switching points upon request