

Level Switches

UNS-VA1/4 VA52 (-HT)

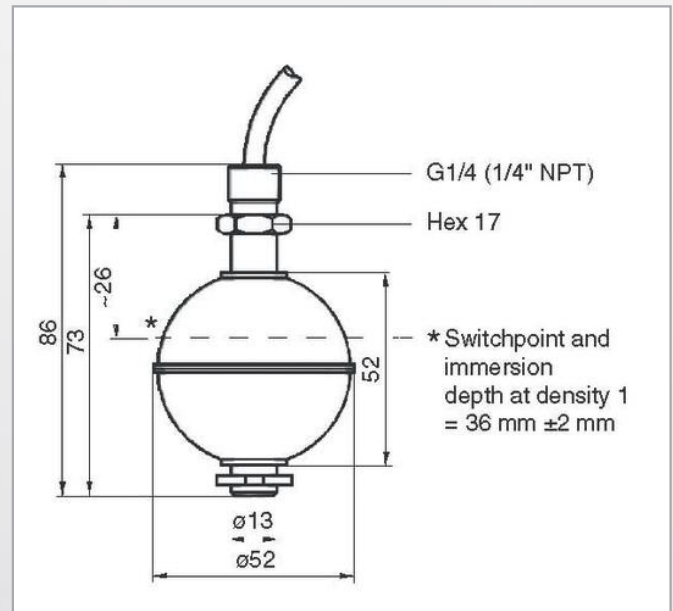
Made of Stainless Steel
with G1/4 - Mounting Thread

Technical Data

Stem and Mounting Thread	VA 1/4 = W.Nr. 1.4571, G1/4
Float	VA 52 = W.Nr. 1.4571, \varnothing 52 mm
Max. Operating Pressure	40 bar (Float / +20 °C)
Max. Operating Temperature	-10 °C...+105 °C, PVC-Cable -40 °C...+150 °C, Silicone cable (-HT)
Min. Fluid Specific Gravity	0,78 g/cm ³
Mounting Position	vertical, $\pm 30^\circ$, through top or bottom
Protection Class	IP54
Electrical Connection	PVC-cable, max. 3 x 0,34 mm ² Silicone cable (-HT), max. 3 x 0,5 mm ² 1 m / 3 m / 5 m length
Contact Mode	1 - SPST-switch (NO) 2 - SPST-switch (NC) 3 - SPDT-switch
Max. Contact Rating	1 - 250 V AC/DC / 3,0 A / 100 VA/W 2 - 250 V AC/DC / 3,0 A / 100 VA/W 3 - 140 V AC/DC / 1,0 A / 60 VA/W
Weight	appr. 150 g
Approval	www.barksdale.de

By turning the float upside down the function of the switch contact can be changed from NO (standard) in NC or vice versa. (Not possible with SPDT contacts)
The contact modes (NO or NC) are defined on the basis of an empty tank and for a level switch mounted through the top.

Dimensions (mm / inch)



Order Code

Type	Contact Mode	Cable Type/Length	Order Number
UNS-VA1/4-K1-VA52/1(2)	NO (NC)	PVC / 1 m	0111-482
UNS-VA1/4-K3-VA52/1(2)	NO (NC)	PVC / 3 m	0111-483
UNS-VA1/4-K5-VA52/1(2)	NO (NC)	PVC / 5 m	0111-484
UNS-VA1/4-K1-VA52/3	SPDT	PVC / 1 m	0111-485
UNS-VA1/4-K3-VA52/3	SPDT	PVC / 3 m	0111-486
UNS-VA1/4-K5-VA52/3	SPDT	PVC / 5 m	0111-487
UNS-VA1/4-K1-VA52/1(2)-HT	NO (NC)	Silicone / 1 m	0111-488
UNS-VA1/4-K3-VA52/1(2)-HT	NO (NC)	Silicone / 3 m	0111-489
UNS-VA1/4-K5-VA52/1(2)-HT	NO (NC)	Silicone / 5 m	0111-490
UNS-VA1/4-K1-VA52/3-HT	SPDT	Silicone / 1 m	0111-491
UNS-VA1/4-K3-VA52/3-HT	SPDT	Silicone / 3 m	0111-492
UNS-VA1/4-K5-VA52/3-HT	SPDT	Silicone / 5 m	0111-493
UNS-VA1/4NPT-K1-VA52/1(2)	NO (NC)	PVC / 1 m	0111-589
UNS-VA1/4NPT-K3-VA52/1(2)	NO (NC)	PVC / 3 m	0111-590
UNS-VA1/4NPT-K5-VA52/1(2)	NO (NC)	PVC / 5 m	0111-591
UNS-VA1/4NPT-K1-VA52/3	SPDT	PVC / 1 m	0111-592
UNS-VA1/4NPT-K3-VA52/3	SPDT	PVC / 3 m	0111-593
UNS-VA1/4NPT-K5-VA52/3	SPDT	PVC / 5 m	0111-594

Color code

