

# Compact Piston Pressure Switch

## Type KD1

Mechanical piston pressure switch  
Repeatability  $\pm 1.0$  % typical

### Features

OEM pressure switch,  
Factory setting only fully tamper proof.  
Larger deadband for pump controlling

### Adjustment ranges

30 ... 300 bar

### Applications

Building and agricultural machines,  
Brake system control,  
Hydraulic accumulator control



### Technical Data

<b>Wetted parts:</b>	NBR, PTFE Brass, roller bearing steel
<b>Repeatability:</b>	$\pm 1$ % typical
<b>Switching rate:</b>	max. 60/min
<b>Temperature range:</b>	-40 °C... +80 °C
<b>Protection class:</b> Silicone cable (K2): Spade connector (A1):	IP67 IP65
<b>Housing:</b>	Compact housing made of brass and stainless steel

<b>Process connection:</b>	M12 x 1.5 male thread Other connections on request
<b>Electrical connection:</b>	Silicone cable (K2) Spade connector DIN 46244 (A1)
<b>Electrical ratings and hysteresis:</b>	Hysteresis factory set, see diagrams
<b>Weight:</b>	KD1-...: approx. 0.2 kg
<b>Set point adjustment:</b>	Factory set
<b>Approval:</b>	---

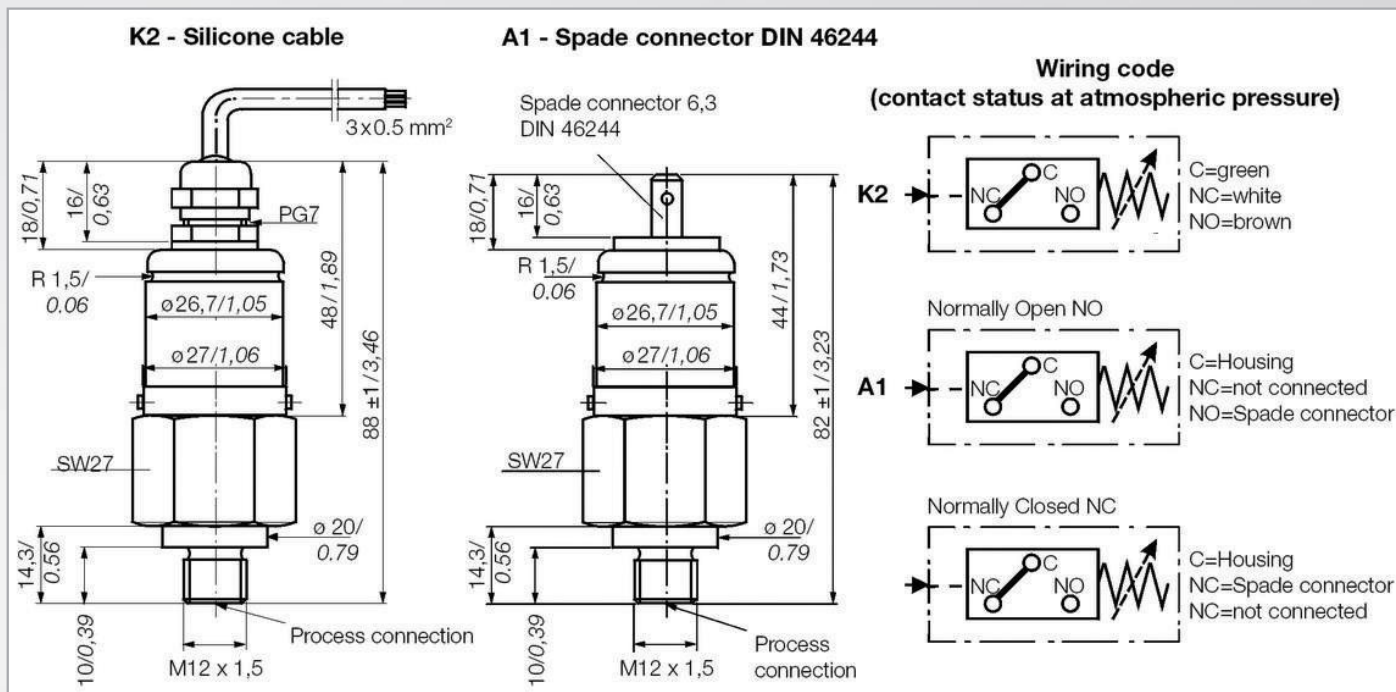
### Pressure Ranges

Pressure range code	Adjustment range [bar]	Proof pressure [bar]	Max. operating pressure [bar]	Max. hysteresis [bar]
	Increasing pressure	short term		end of range
KD1-30 / 100	30 ... 100	450	300	16.5 ... 19
KD1-60 / 300	60 ... 300	450	300	34.0 ... 48

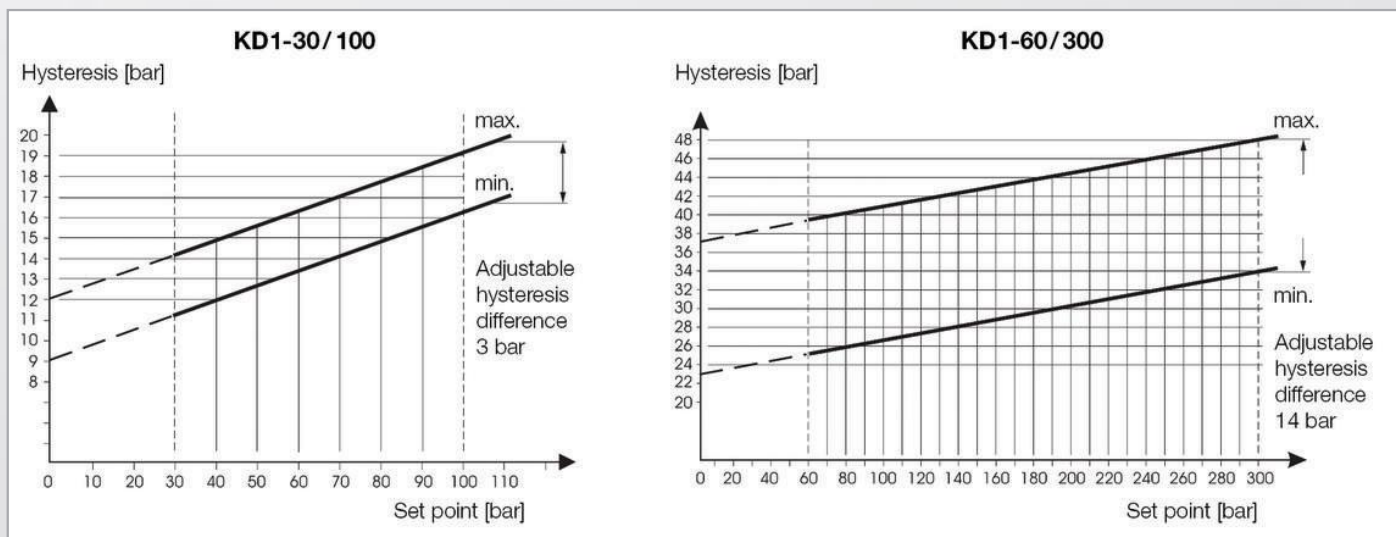
## Compact Piston Pressure Switch

**Type KD1**

### Dimensions (mm / inch)



### Hysteresis Diagram KD1



### Electrical Ratings

Special features	Volt DC	Ind. load A	Res. load A	Comments
Micro switch with silver contacts	30	3	3	More information on request.

### Electrical Connection

Electrical connection	Options and accessories
(K2) Silicone cable 3 x 0.5 mm <sup>2</sup> ; 600 mm long	(K1) EPD cable, 600 mm long
(A1) Spade connector 6,3 DIN 46244; green	(A2) Spade connector 6,3 DIN 46244; blue