

Bourdon Tube Pressure Switches

B1S/B2S

Mechanical single/dual pressure switch
Repeatability ± 1.0 % at constant temperature

Features

Bourdon tube pressure switch
All welded parts wetted.
Direct acting, no friction, high accuracy

Adjustment ranges

4.8 ... 950 bar

Applications

Pump control,
Die-casting machines,
Press control,
Power plants,
Alarm functions



Technical Data

Wetted parts: Process connection:	Stainless steel 1.4401
Bourdon tube:	Stainless steel 1.4401
Repeatability:	± 1 % at constant temperature
Switching rate:	max. 20/min
Temperature range:	-40 °C... +75 °C
Protection class:	IP00
Housing:	Without housing for installation in control panels:
Process connection:	1/4" NPT female thread except ranges marked with *). These switches have proof pressures above 500 bar and are provided with high pressure thread with adapter "G1/4 female".

Electrical connection:	Lead wire PVC 1.5 mm ² , length appr. 450 mm
Electrical ratings and hysteresis:	A large variety of micro switches offers different electrical ratings and hysteresis for many applications.
Weight:	B1S-...: approx. 0.6 kg B2S-...: approx. 0.7 kg
Set point adjustment:	Turn the adjustment screw clockwise to decrease the set point
Intrinsically safe:	---
Approval:	---

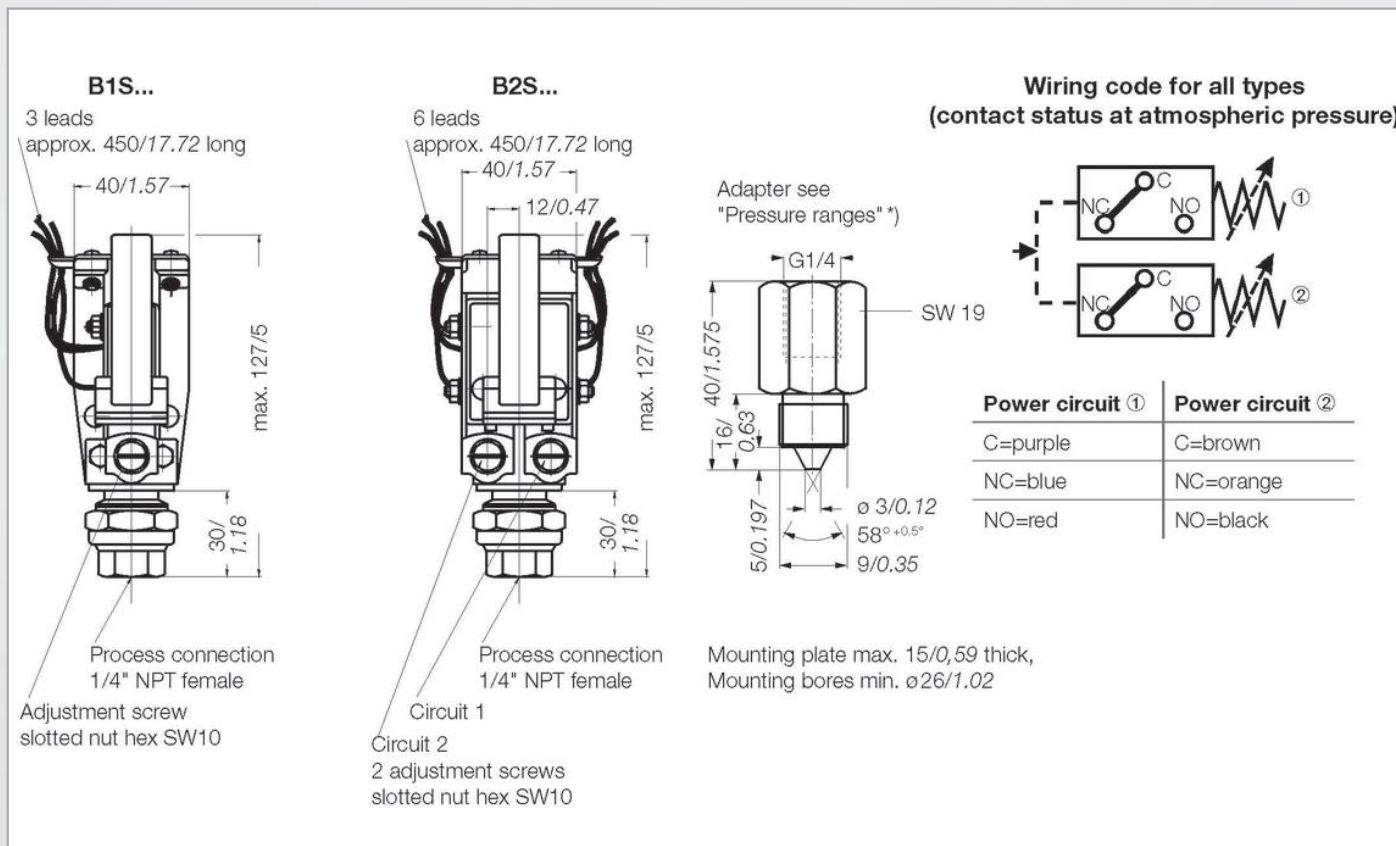
Connection Chart

Pressure range code	Adjustment range [bar]		Max. operating pressure [bar]	Test pressure [bar] (short term)	Max. hysteresis of switch types in bar (end of range)	
	Increasing press.	Decreasing press.			H, GH [bar]	M, GM [bar]
12SS	4.8 ... 82	3.4 ... 81	90	100	0.96	1.86
32SS	13.7 ... 220	11.0 ... 217	250	280	2.68	5.44
48SS	22.4 ... 330	16.5 ... 325	370	415	2.75	5.90
65SS*	30.3 ... 448	22.5 ... 440	500	560	3.58	7.92
120SS*	79.3 ... 827	41.4 ... 790	850	1035	16.90	37.90
180SS*	79.3 ... 950	41.4 ... 950	999	1380	16.90	37.90

Bourdon Tube Pressure Switches

B1S/B2S

Dimensions (mm / inch)



Electrical Ratings

Micro switch	Special features	Volt AC 50/60 Hz	Ind. load A	Res. load A	Volt DC	Ind. load A	Res. load A	Comments
H	Micro switch with silver contacts	125	10	10	6	0.50	0.5	Small hysteresis; High AC-/ low DC-load
		250	10	10	to			
		480*	3	3	24			
M	Micro switch with silver contacts	125	10	10	12	5.00	15.0	Medium hysteresis; High AC- and DC-loads
		250	10	10	24	1.00	2.0	
		480*	3	3	250*	0.25	0.4	
GH	Micro switch with gold-plated contacts for low voltage and/or low current	125	1	1	24	1.00	1.00	Small hysteresis
GM		30	0.1	0.1	30	0.10	0.1	Medium hysteresis

* on request

Order Code

Example for order number

Type		or	Type		Micro switch		Pressure range code
B1S			B2S	-	H		48SS

Your order number

Type		or	Type		Micro switch		Pressure range code
				-			