

# Ammonia Transmitter E2618-NH3-P



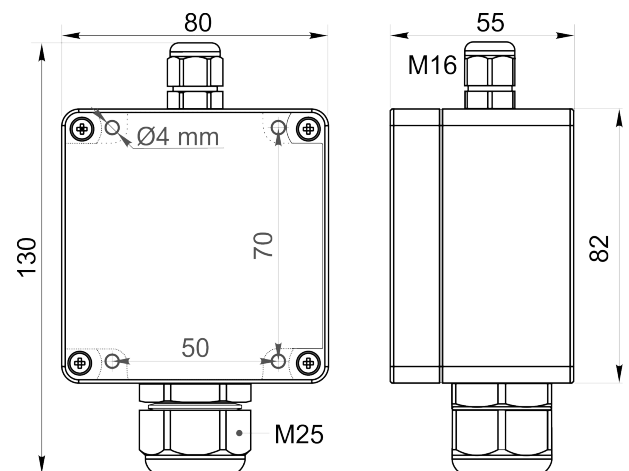
## Features

- Wall-mount or duct-mount version
- Industrial IP65 housing
- Two analog outputs settable to 4-20 mA or 0-10 V
- RS485 Modbus RTU digital interface
- Attached or remote sensor

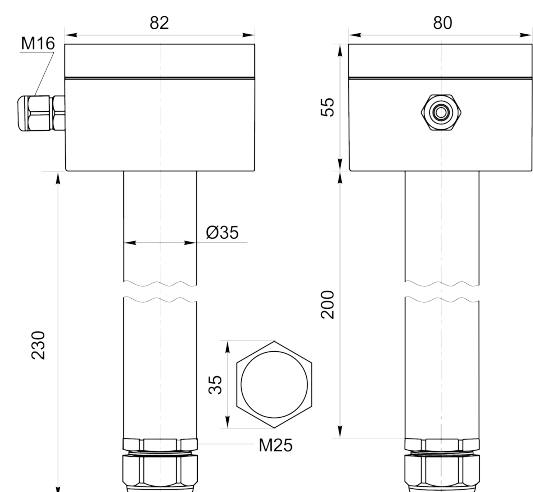
## Specifications

Calibration	Ammonia NH <sub>3</sub>
Sensor type	Pellistor (catalytic bead)
Sampling method	Diffusion
Typical detection range	0...15%vol. (0...100%LEL NH <sub>3</sub> )
Resolution	0.1%vol. or 1%LEL
Response time T90	≤10 s
Sensor lifetime	> 3 years
Maintenance interval	6 months
Operating temperature	-20...+60°C
Signal update	Every 1 second
Self-diagnostics	Full functionality check at start-up
Warm-up time	≤ 1 min
Power supply	12...36 VDC (default) 24 VAC as option
Power consumption	< 2 VA
Digital interface	RS485, Modbus RTU protocol
Analog outputs	2 × 4-20 mA / 0-10 V, user settable
Output scale width	Recommended: 20-100% of the range; > 10 × resolution in any case  Analog output scale can be set according to customer's requirement (e.g. 0...4%vol. NH <sub>3</sub> )
Enclosure	Grey ABS plastic, wall mount, protection class IP65
Dimensions	H82 × W80 × D55 mm
Remote sensor probe	Protection IP65, shielded cable default cable length 3.0 m
Operating environment	Industrial indoor and outdoor locations
Operating conditions	(operating temperature is specified above) ≤ 95% RH non condensing; 0.9...1,1 atm Explosion-safe areas; Normal ambient O <sub>2</sub> level; Avoid strong mechanical shock, vibrations, or EMI; Avoid exposure to corrosive gases or silicone containing products.

### Wall mount version



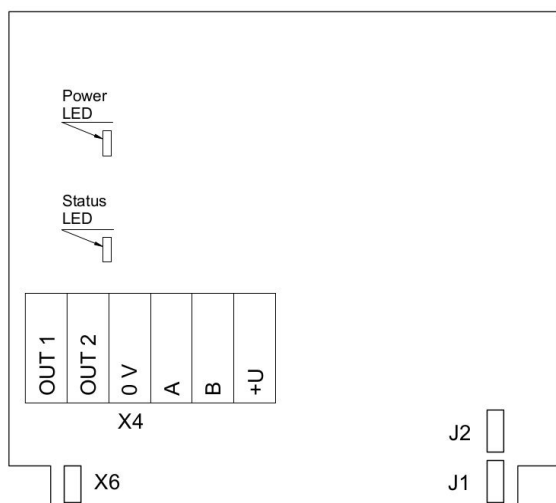
### Duct mount version



Ask for other versions or custom designed products



## Connection diagram



PCB without PSU and relays

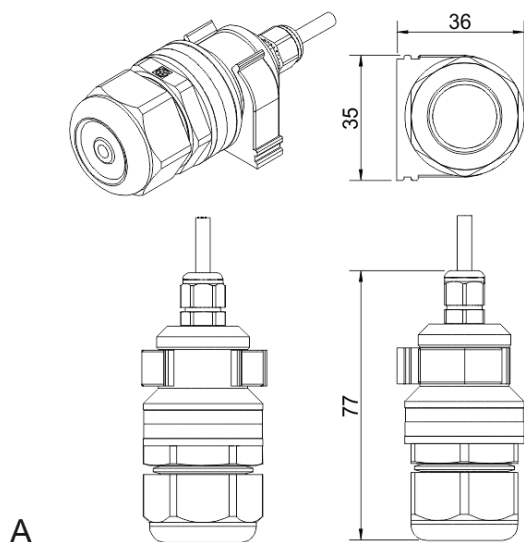
### Jumpers

- J1**                   OUT1 type (open: 4-20 mA; closed 0-10 V)
- J2**                   OUT2 type (open: 4-20 mA; closed 0-10 V)
- X6**                   Reset Modbus network parameters to default

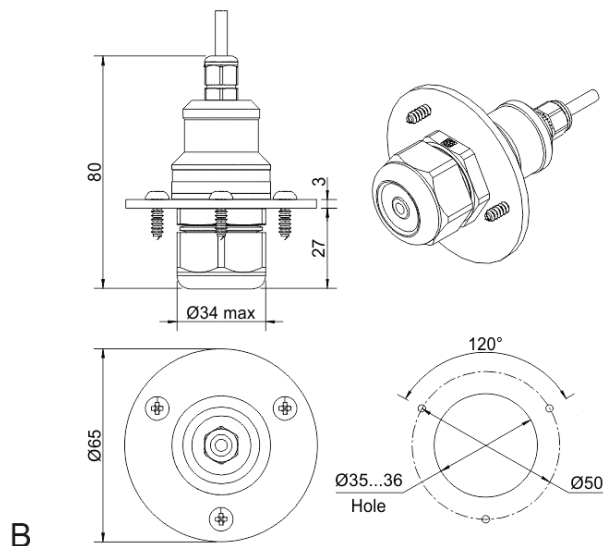
### X4 terminals

- OUT1**               4-20 mA / 0-10 V output
- OUT2**               4-20 mA / 0-10 V output
- 0V**                   0 V / 24 VAC Neutral (optional)
- A**                    RS485 A / Data +
- B**                    RS485 B / Data -
- +U**                   +24 VDC / 24 VAC Phase (optional)

## Remote probe



Wall mount remote probe with fixing clamp (default version)



Remote probe with rubber flange and three self-tapping screws (on request)

