

K1S Sealed, True ON-ON-ON Rocker

The industry's smallest sealed, logic-level rocker is rated up to 1 million cycles and comes in a short behind-panel, snap-in package. The K1S is available as a true ON-ON-ON rocker that is ideal for use as a Forward-Neutral-Reverse (FNR) switch.

Choose from two rocker style and size options for user comfort, both of which fit into the same industry-standard panel opening. The double-pole version offers redundancy for each switch state, providing increased safety.

Product Features

- True ON-ON-ON triple-throw switch options
- Switch contacts sealed to IP68S. With the optional boot, the standard switch is panel sealed to IP68S.
- Tested up to 1 million cycles
- Maintained or momentary action, single or double pole
- Logic level only
- Molex connector and wire lead termination options
- Standard and large rocker style sizes
- Many standard or custom legend options
- RoHS compliant



Standard Rocker with Optional FNR Legend



Standard Rocker Side Front View



Standard Rocker Top View



Large Rocker with FNR Legend



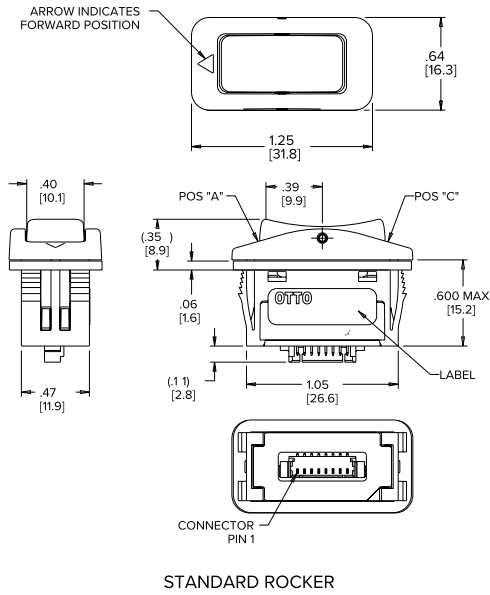
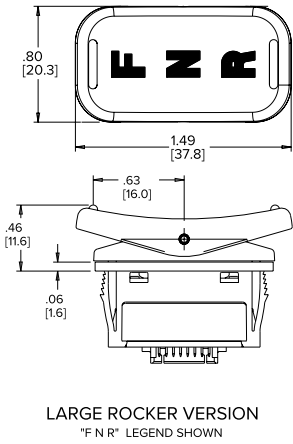
Optional Rubber Boots in Clear and Black for Standard Size Only



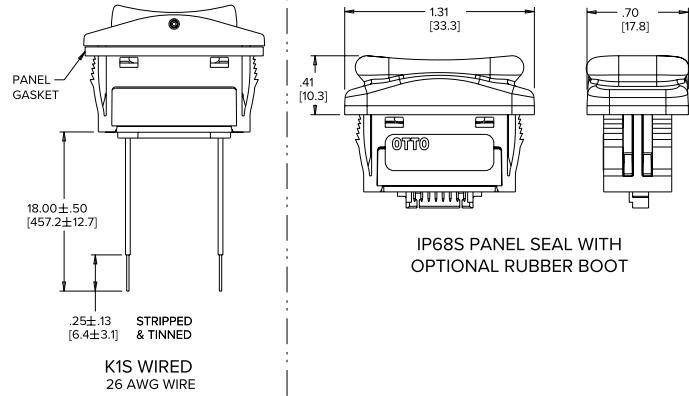
Two K1S Rocker Switches and a P9 Pushbutton Switch in a G3-C Grip with a Custom Faceplate Style



One K1S Rocker Switch and two P9 Pushbutton Switch in a G3-M Grip



K1S D DRAWINGS



IP68S PANEL SEAL WITH OPTIONAL RUBBER BOOT

K1S PART NUMBER CODE

Part Number Code Continues Below

- K1S X**
- Connection Style**
- ① A. 6 PIN Connector
 - ② B. 8 PIN Connector
 - ③ E. 18" Wires 26 AWG
 - ③ G. 18" Wires 24 AWG

- X**
- Rocker Color/Style**
- A. Red Rocker
 - B. Black Rocker
 - C. White Rocker
 - ④ D. Large Red Rocker
 - ④ E. Large Black Rocker
 - ④ F. Large White Rocker
 - G. Yellow Rocker
 - ④ H. Large Yellow Rocker
 - ⑤ J. Large Black Rocker with FNR Legend (White)
 - ⑤ K. Large Yellow Rocker with FNR Legend (Black)
 - M. Red Rocker with Translucent Boot
 - N. Black Rocker with Black Boot
 - P. Black Rocker with Translucent Boot
 - T. White Rocker with Translucent Boot
 - V. Yellow Rocker with Translucent Boot
 - ⑤ W. Large Orange Rocker with FNR Legend (Black)

X

Switch Action / Circuit

	Position "A"	Position "B"	Position "C"	Circuit
A.	ON	NONE	OFF	SPST
B.	ON	NONE	ON	SPDT
C.	*(ON)	NONE	OFF	SPST
D.	*(ON)	NONE	ON	SPDT
E.	ON	OFF	ON	SPDT
F.	*(ON)	OFF	*(ON)	SPDT
G.	*(ON)	OFF	ON	SPDT
H.	ON	ON	ON	SPTT
J.	ON	NONE	OFF	DPST
K.	ON	NONE	ON	DPDT
L.	*(ON)	NONE	OFF	DPST
M.	*(ON)	NONE	ON	DPDT
N.	ON	OFF	ON	DPDT
P.	*(ON)	OFF	*(ON)	DPDT
R.	*(ON)	OFF	ON	DPDT
T.	ON	ON	ON	DPTT
U.	*(ON)	ON	*(ON)	SPTT
V.	*(ON)	ON	*(ON)	DPTT

- XX XX XX**
- Legend Style**
- ZZ. Position "A" No Legend
 - ZZ. Position "B" No Legend
 - ZZ. Position "C" No Legend

NOTE: For all other Legend Options, refer to Standard SAE Legends.

Attributes:

- Mating Connector: MOLEX 51021-0600
- Mating Connector: MOLEX 51021-0800
- Unless otherwise specified, all dimensions are in inch [metric]. In the event of a conflict, the inch nominal value and tolerance will take precedence.
- Rubber boot not available.
- Legend Styles are not available, fixed at Legend Orientation #4.

*() Denotes Momentary Action

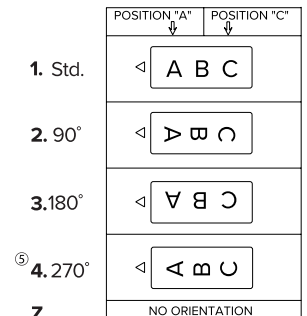
* Legend color cannot be same color as button color. (i.e. Red Button color cannot have Red Legend color).

K1S PART NUMBER CODE -

Continued From Above

- XXX**
- Legend Color***
- Position A / B / C**
- 1. Red
 - 2. Black
 - 9. White
 - Z. No Legend

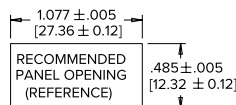
- X**
- Legend Orientation**



PANEL THICKNESS AND MOUNTING OPENING GUIDELINES

PANEL THICKNESS: .086 ±.003 [2.18 ±0.08]

PANEL OPENING:



GASKET INCLUDED

OPTIONAL BOOT PART NUMBER

- C405810-25-12 (Translucent)
- C405810-25-2 (Black)