

G3-D CONTROL GRIP

The rugged, ergonomically designed G3-D Control Grip can be configured with a rocker switch or a pushbutton at the top of the grip handle, and an operator presence lever switch to help prevent inadvertent actuation. Top mount and bottom mount are both available as standard offerings.

The G3-D grip can be assembled with OTTO's JHM joystick, providing a variety of gating options including single axis, dual axis, friction held and omni-directional. Output choices include analog, PWM, USB, CANopen and CANbus.

The G3-D Control Grip works well in industrial, agricultural, mining, utility and construction applications such as aerial work platforms, scissor lifts, bucket trucks, telehandlers, trenchers and track trucks.



Top Mount G3-D with
Rocker Switch and
Operator Presence

Features:

- Operator Presence Option
- Rocker or pushbutton switch options for the top of the handle
- Switches sealed to IP68S
- Top mount or bottom mount
- Can be assembled with an OTTO JHM joystick
- RoHS compliant



G3-D with Rocker
Switch, Operator
Presence and
Top Mount JHM
Joystick



G3-D with
Pushbutton
and Bottom Mount
JHM Joystick

Standard Characteristics/Ratings:

ELECTRICAL RATINGS:

P9 Switches

Electrical Rating @ 28 VDC	50mA Resistive Load
Electrical Life	1,000,000 Cycles

MECHANICAL RATINGS

P9 Switches

Mechanical Life	1,250,000 Cycles
-----------------	------------------

ENVIRONMENTAL:

Operating Temperature:

P9 Switches

	Units	Min	Typ	Max
Operating Temperature:	° C	-40	20	85
Enclosure Design	ISO 20653, IP68S - Dusttight, Continuous Immersion, 1 Meter For 31 Minutes, Static During Test(s)			

Grip

Enclosure Design	ISO 20653, IP65 - Dusttight, Water Jets, Static During Test(s)
------------------	--

MATERIALS:

Grip Halves, Faceplate	Thermoplastic, Glass Reinforced, Black
Lever, Rocker	Thermoplastic, Unfilled, Black
Boot	Elastomer, 40 Durometer, Black

G3-D PART NUMBER CODE

G3-D X

Mounting

1. Top Mount
2. Bottom Mount

XX

Configuration

11. Rocker (ON)-OFF-(ON) and Operator Presence
22. Rocker (ON)-OFF-(ON) and No Operator Presence
33. One Pushbutton and Operator Presence
44. One Pushbutton and No Operator Presence
55. No Pushbutton, No Rocker and Operator Presence
66. No Pushbutton, No Rocker and No Operator Presence

X

OP & PB Configuration

1. None*
2. Normally Open (NO)
3. 2 Circuit (NO/NC)**
4. 2 Circuit (NO/NC)***

* can only be used with configurations 22 and 66

** for options 11 (Operator Presence), 44, 55

*** for option 33

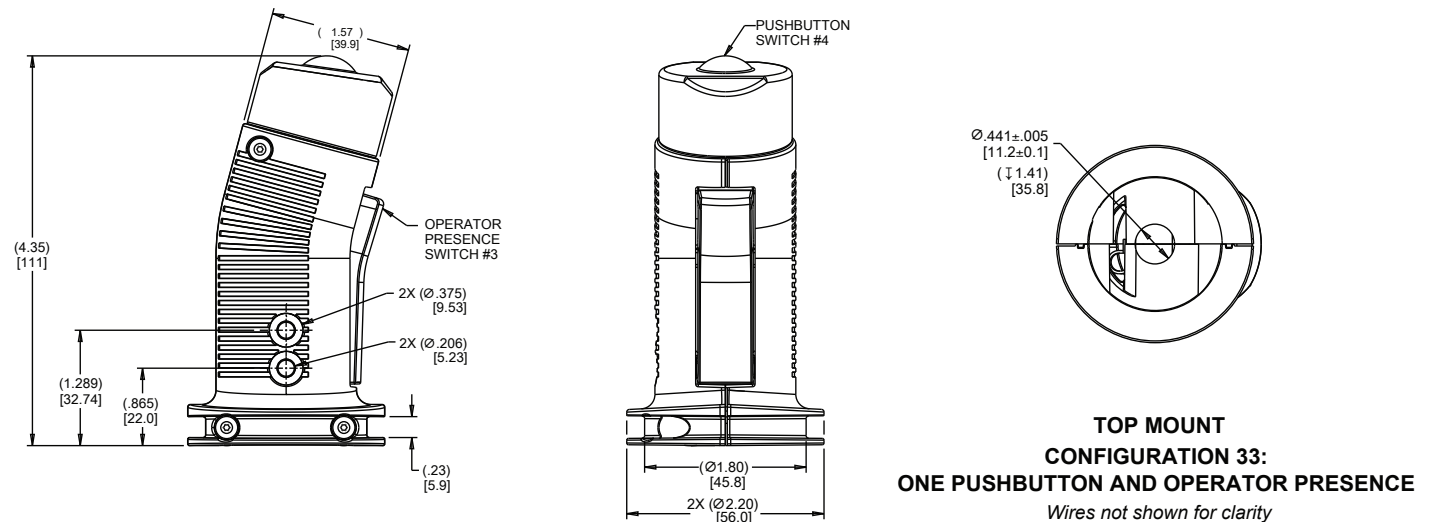
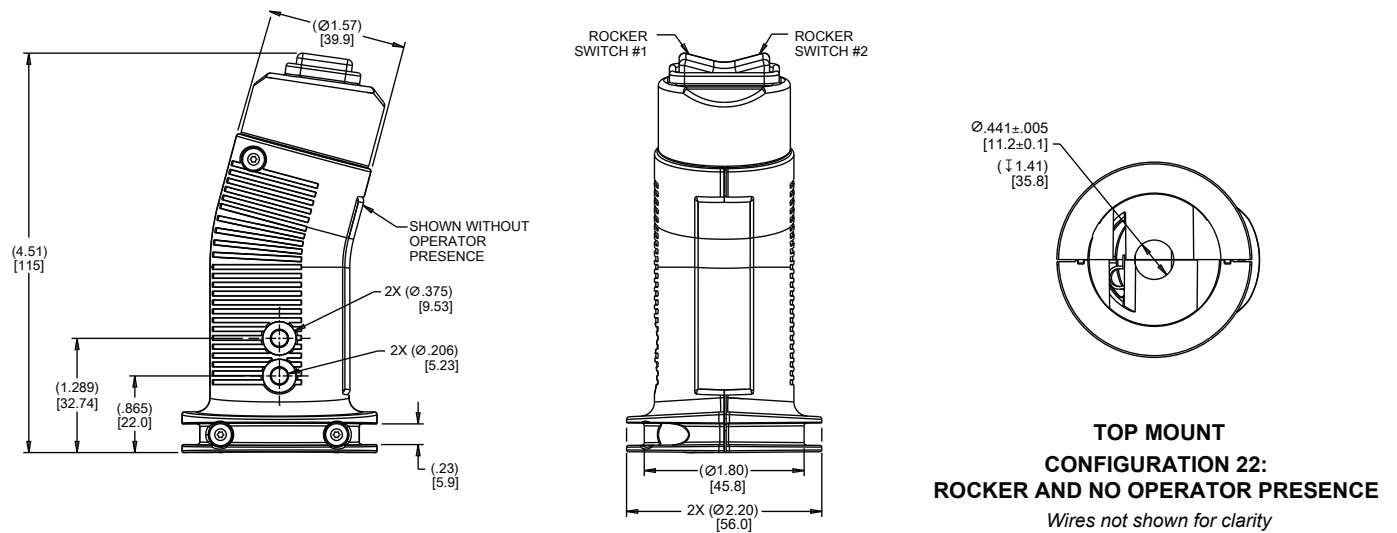
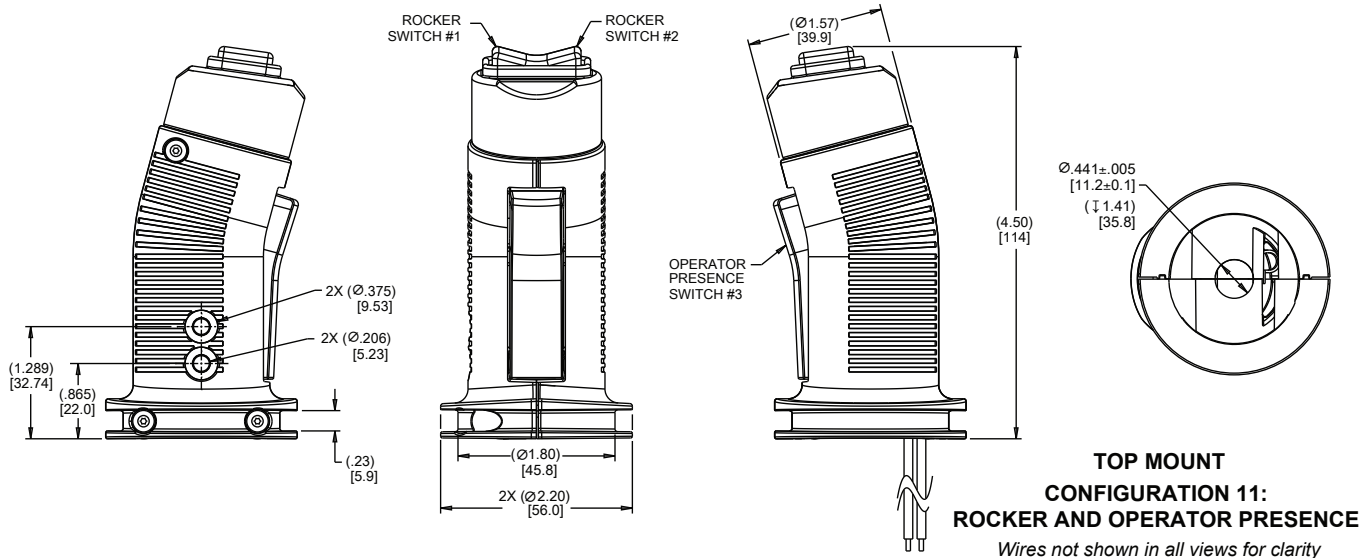
**** can only be used with configuration 66

X

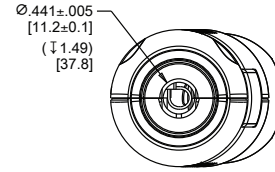
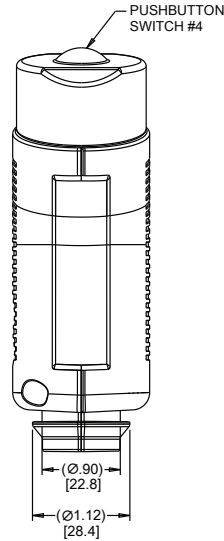
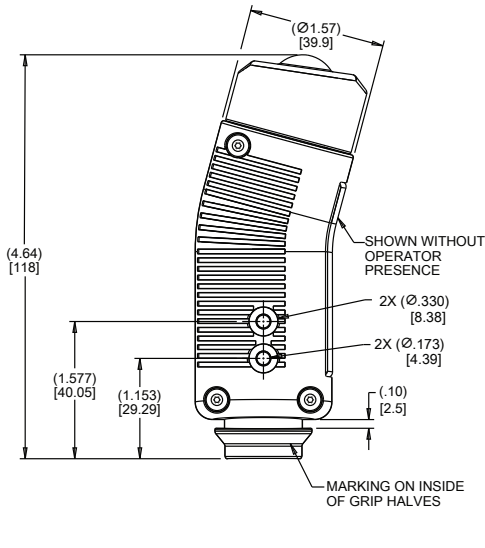
Termination

1. No Wires****
1. 20" Flying Leads 22 AWG

HEAVY EQUIPMENT AND MATERIAL HANDLING GRIPS

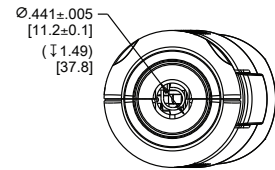
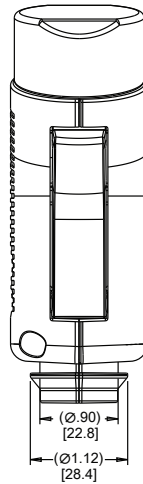
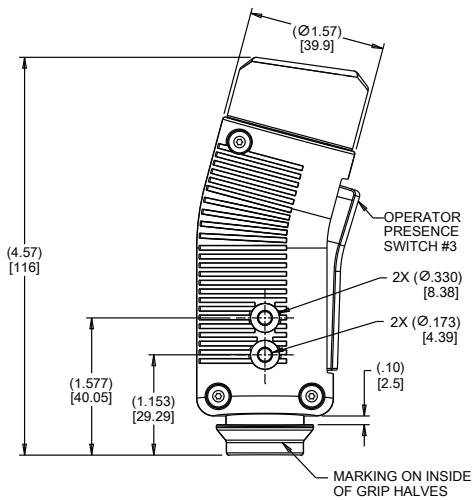


HEAVY EQUIPMENT AND MATERIAL HANDLING GRIPS



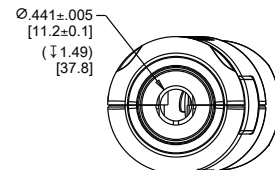
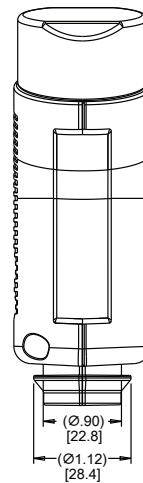
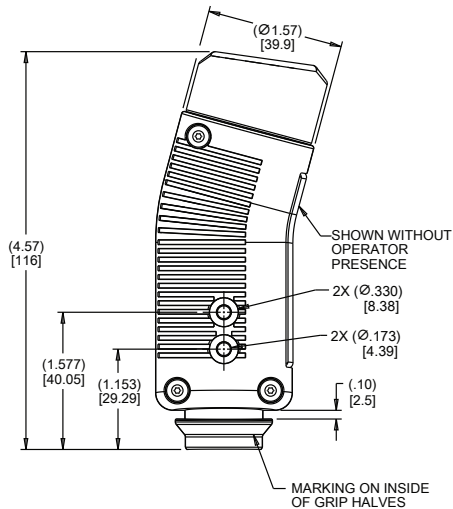
**BOTTOM MOUNT
CONFIGURATION 44:
ONE PUSHBUTTON AND
NO OPERATOR PRESENCE**

Wires not shown for clarity



**BOTTOM MOUNT
CONFIGURATION 55:
NO PUSHBUTTON, NO ROCKER
AND OPERATOR PRESENCE**

Wires not shown for clarity



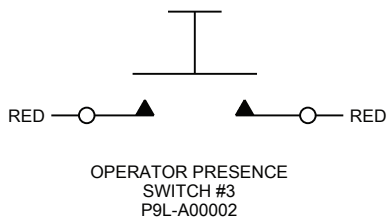
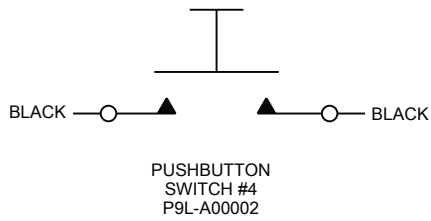
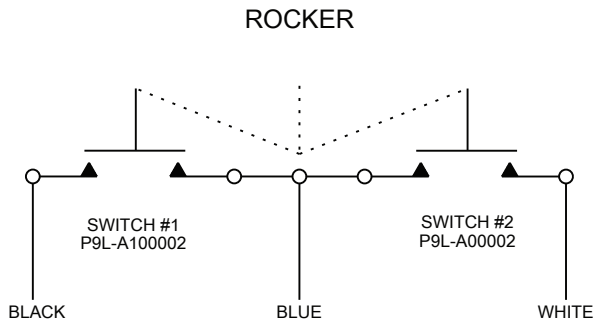
**BOTTOM MOUNT
CONFIGURATION 66:
NO PUSHBUTTON, NO ROCKER
AND NO OPERATOR PRESENCE**

Wires not shown for clarity

HEAVY EQUIPMENT AND MATERIAL HANDLING GRIPS

G3-D CONTROL GRIP SCHEMATICS

NORMALLY OPEN (NO) CIRCUITS



NORMALLY OPEN/NORMALLY CLOSED (NO/NC) CIRCUITS

