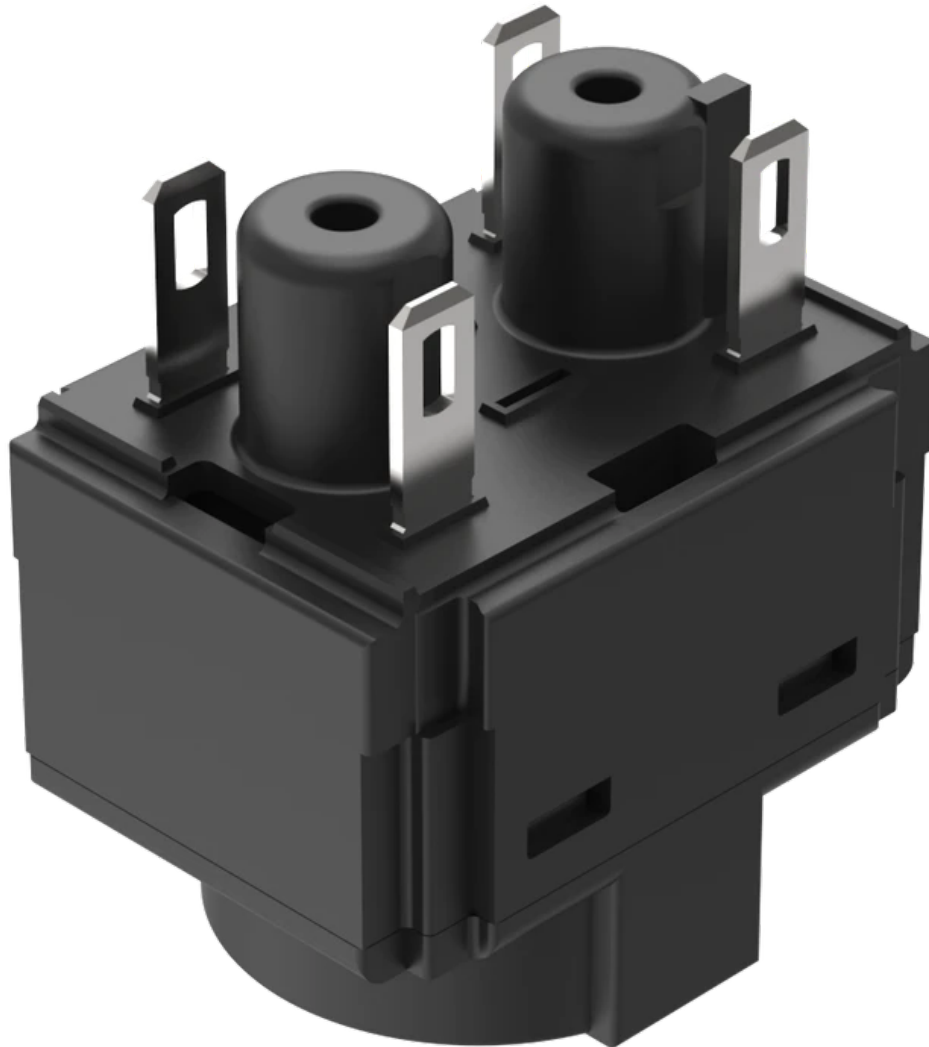


Switching element

61-8755.17



Your Expert Partner for Human Machine Interfaces



Your product:



61-8755.17

Switching element

ELECTRICAL CHARACTERISTICS

Recommended minimum operational data:

Voltage 20 VAC/DC
Current 100 mA

Standards:

The switches comply with the "Standards for low-voltage switching devices" EN IEC 60947-5-1

Thermal current I_{th}:

5 A, according to EN / IEC 60947-5-1

Contact resistance:

New state ≤ 50 mΩ, as per DIN / IEC 60512-2-4, measured at 100 mA, 10 V

Electric strength:

4000 VAC, 50 Hz, 1 minute, as per DIN / IEC 60512-2 between all terminals and earth

Overvoltage category:

III, according to EN / IEC 60947-5-1

Protection class:

II, according to EN / IEC 61058-1

Rated impulse withstand voltage U_{imp}:

4 kV, according to EN / IEC 60947-5-1

Rated insulation voltage U_i:

320 VAC, according to EN / IEC 60947-5-1

Rated Operational Voltage U_e:

250 VAC / DC according to EN / IEC 60947-1

Electrical lifetime:

6050 cycles of operation

Pollution degree:

3, according to EN IEC 60947-1

OTHER

Terminal:

Plug-in terminal, 0.5 x 2.8 mm

Weight:

0.008 kg

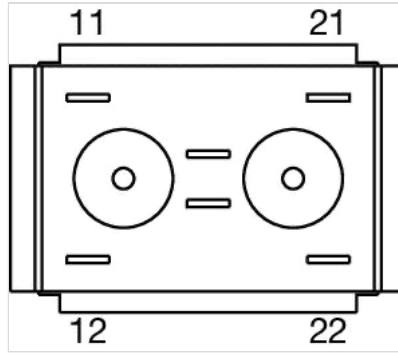
Contacts:

2 NC

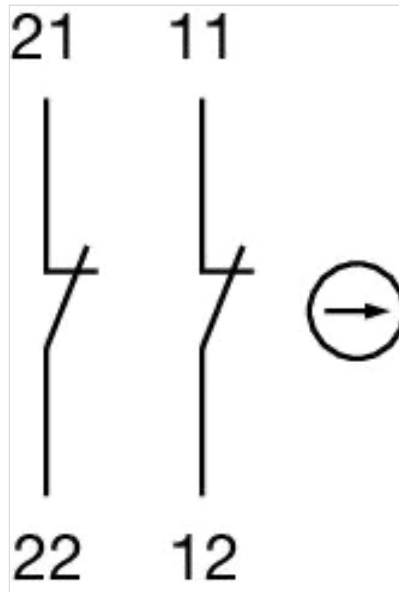
Contact material:

Silver

Component layouts:



Wiring diagrams:



MECHANICAL CHARACTERISTIC

Switching system:

Double-break slow-make system, contact opening width 2 x 1.5 mm, with 2 x 2 contact points per switching element.
 NC-contact elements in the slow-make elements fulfill requirements of switches with forced opening as per EN / IEC 60947-5-12.17.

Wire cross section:

- 1 wire flexible: 0.5 ... 0.75 mm²
- 1 wire super flexible: 0.5 mm²
- 1 wire rigid: 0.5 ... 1.5 mm²
- 2 wires flexible: 0.5 ... 0.75 mm²
- 2 wires super flexible: 0.5 mm²
- 2 wires rigid: 0.5 ... 1.5 mm²

Operating Travel:

10 mm

Mechanical lifetime:

50 000 cycles of operation

Operating force:

Max. 65 N

AMBIENT CONDITION

Climate resistance: Damp heat, cyclic: 96 hours, + 25 °C /97 %, + 55 °C / 93 % relative humidity, as per EN IEC 60068-2-30,Damp heat, steady: 56 days, + 40 °C / 93 % relative humidity, as per EN IEC 60068-2-78,Rapid change of temperature: 100 cycles, – 40 °C ... + 80 °C, as per EN / IEC 60068-2-14

IP Protection: IP40

Operating temperature: – 25 °C ... + 55 °C

Storage temperature: – 40 °C ... + 85 °C

CERTIFICATE

Approbations: CB (IEC 60947-5-1), CB (IEC 61058-1), CENELEC CCA-NTR (EN 60947-5-1), CQC, CSA, DNV GL (previously Germanischer Lloyd), EAC, ENEC (EN 61058-1), NFF, SEV (EN / IEC 60947-5-1), UL

Conformities: CE, 2011 / 65 / EC (RoHS), 2014 / 35 / EU (LVD)