

Actuator

61-3440.4/3



Your Expert Partner for Human Machine Interfaces



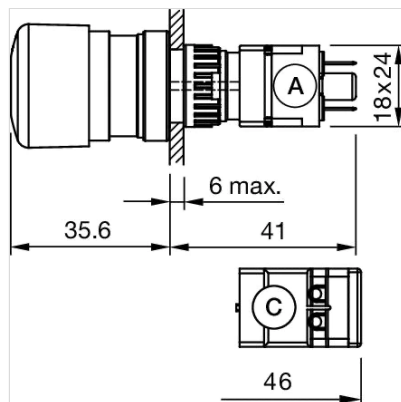
Your product:



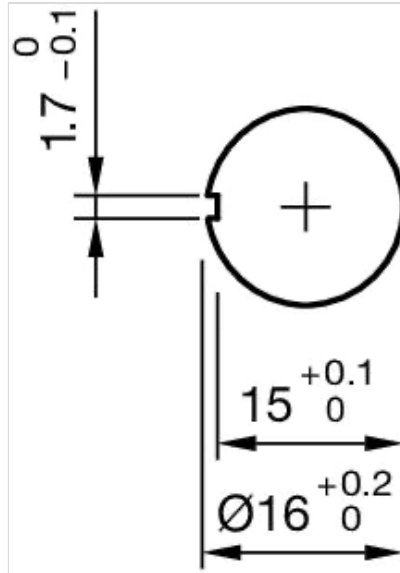
61-3440.4/3 Actuator

OTHER

Marking:	Arrows
Lens illumination:	non illuminative
Housing colour:	Yellow
Housing material:	Plastic
Weight:	0.02 kg
Release type:	Twist to unlock
Terminal:	, x
Dimensions:	



Mounting cut-outs:



Wiring diagrams:



MECHANICAL CHARACTERISTIC

Operating Travel:	10 mm
Mechanical lifetime:	According to DIN/IEC 60512-5-6 and EN/IEC 60947-5-1, 50 000 cycles of operation
Operating force:	Max. 65 N
Tightening torque:	Max. 0.5 Nm

AMBIENT CONDITION

Climate resistance:	Damp heat, steady: 56 days, + 40 °C / 93 % relative humidity, as per EN IEC 60068-2-78, Dry heat: 96 hours, + 65 °C, as per EN IEC 60068-2-2, Low temperature: 96 hours, - 25 °C (as per EN IEC 60068-2-1)) UV test, 56 days (EN 60068-2-5:1999)
Operating temperature:	- 25 °C ... + 55 °C
Storage temperature:	- 40 °C ... + 85 °C

CERTIFICATE

Approbations:	CB (EN 60947), UL NISD (cULus, UL EU) LISTED E-File-Nr.: E341760
----------------------	--

Conformities:

CE

[Legal Notice](#) [Legal Disclaimer](#) [Privacy Policies](#)

