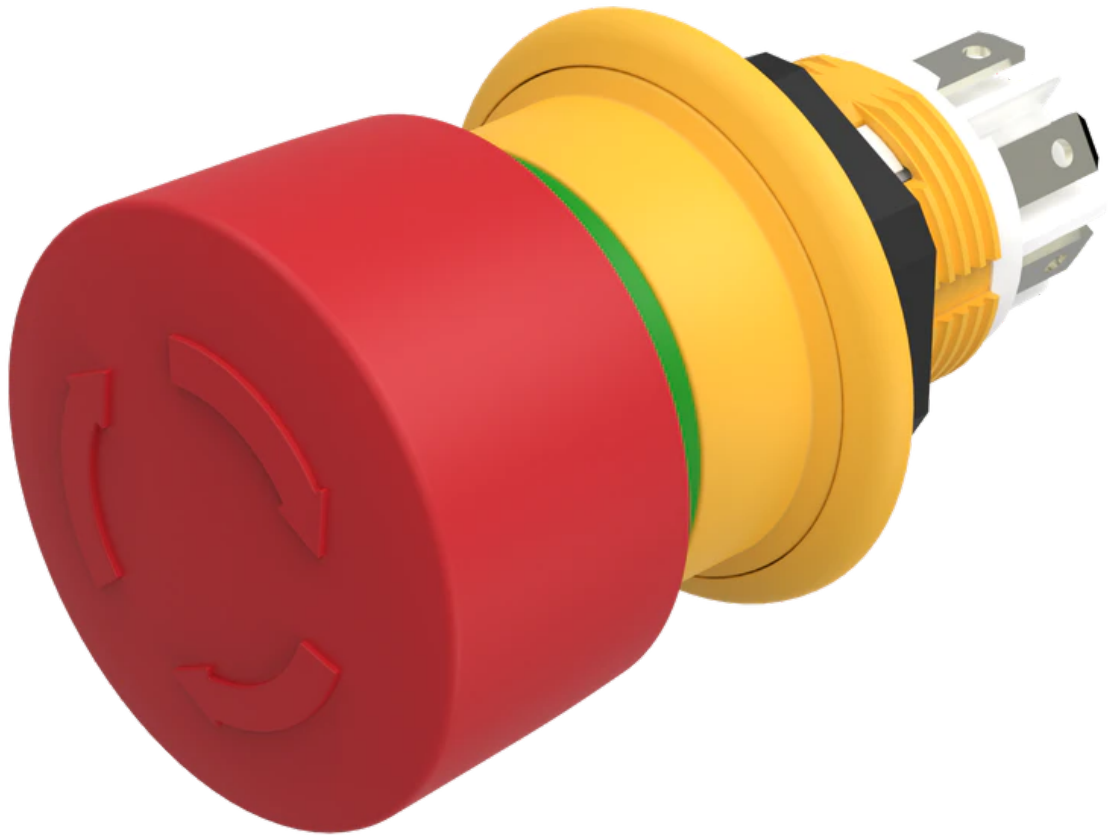


Actuator

61-6441.4057



Your Expert Partner for Human Machine Interfaces



Your product:



61-6441.4057 Actuator

FRONT

Front dimension: Ø 27 mm

ELECTRICAL CHARACTERISTICS

Recommended minimum operational data:

Voltage 1 VAC/DC
Current 1 mA

Standards: According to EN 60947-5-1, EN 60947-5-5, DIN EN ISO 13850, EN IEC 60204

Thermal current I_{th}: 0.5 A (EN IEC 60947-5-1 / max. current in continuous operation at max. + 55 degrees C)

Contact resistance: At 20 mV, 100 mA (IEC 60512-2-1) Insulation resistance
2 MΩ between the open contacts
7 MΩ towards the panel (DIN IEC 60512-3-1)

Electric strength: 500 VAC, 50 Hz, 1 minute according to DIN IEC 60512-2

Overvoltage category: II, according to EN / IEC 61058-1

Protection class: II, according to EN / IEC 60947-5

Rated impulse withstand voltage U_{imp}: 0.5 kV, according to EN / IEC 60947-1

Rated insulation voltage U_i: 250 VAC / DC according to EN / IEC 60947-1

Rated Operational Voltage U_e: 50 VAC / DC, according to EN / IEC 60947-5-1

Rated short-circuit current caused: 1 000 A, type of short-circuit device 2 A gG (EN 60947-5-1)

Electrical lifetime: ≥ 20 000 cycles of operation

Pollution degree: 3, according to EN IEC 60947-1

Switching voltage and switching current:

Alternating current usage category AC-15
according to EN IEC 60947-5-1
Voltage 50 VAC
Current 0,2 A
DC usage category DC-13
according to EN IEC 60947-5-1
Voltage 50 VDC
Current 0,2 A

OTHER

Terminal: Plug-in terminal, 0.5 x 2.8 mm

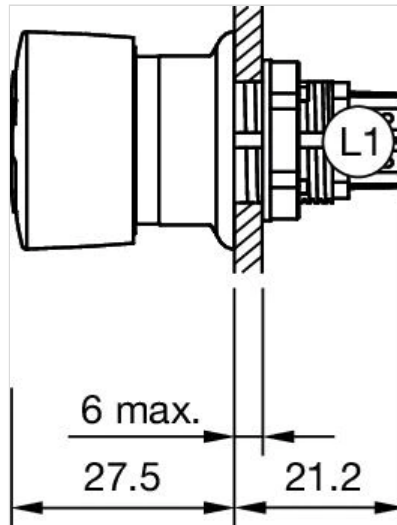
Lens illumination: non illuminative

Weight: 0.02 kg

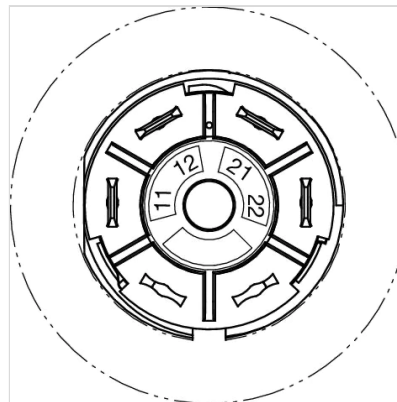
Contacts: 2 NC

Release type: Twist to unlock

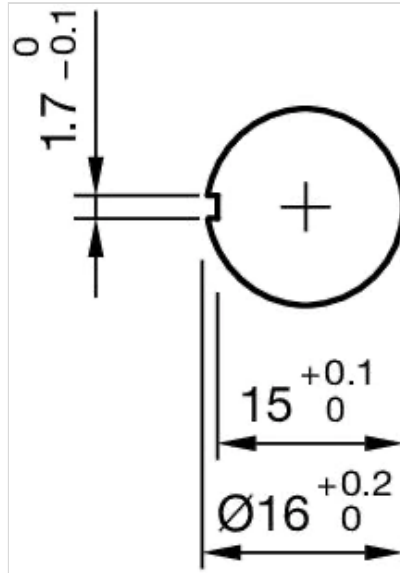
Dimensions:



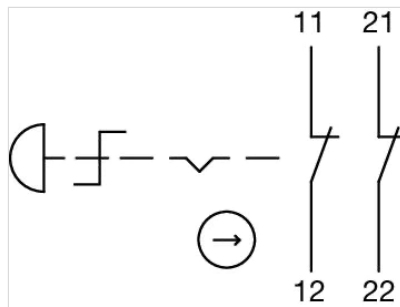
Component layouts:



Mounting cut-outs:



Wiring diagrams:



MECHANICAL CHARACTERISTIC

- Operating Travel:** 4.2 mm
- Mechanical lifetime:** $\geq 20\,000$ cycles of operation
- Operating force:** $30\text{ N} \pm 4\text{ N}$
- Tightening torque:** Max. 0.8 Nm

AMBIENT CONDITION

- Climate resistance:** Damp heat, steady: 56 days, + 40 °C / 93 % relative humidity, as per EN IEC 60068-2-78, Dry heat: 96 hours, + 65 °C, as per EN IEC 60068-2-2, Low temperature: 96 hours, - 25 °C (as per EN IEC 60068-2-1)) UV test, 56 days (EN 60068-2-5:1999)
- IK Protection:** IK06 (cover D40), IK07 (cover D27)
- IP Protection:** IP67 front side, according to EN IEC 60529/A1:2010-04, IP69K front side, according to EN IEC 60529/A1:2010-04, Panel surface roughness Ra1.6
- Operating temperature:** - 25 °C ... + 55 °C

Storage temperature:

- 40 °C ... + 85 °C

CERTIFICATE

Approbations:

CB (EN 60947), UL NISD (cULus, UL EU) LISTED E-File-Nr.: E341760

Conformities:

CE

[Legal Notice](#)

[Legal Disclaimer](#)

[Privacy Policies](#)

