

Series 45 emergency stop switches.

Safe, intuitive and reliable.

Typical applications

- Food and beverage industry
- Main operator panel for machinery
- User interface for industrial automation equipment
- Agricultural machinery and vehicles

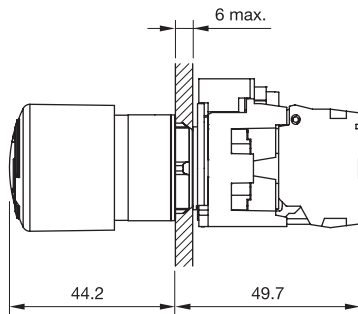
Advantages

- Reliable switching
- Optional illumination
- Robust metal or plastic body versions
- IP69K protection
- Key, twist or pull to release options
- Different actuator shapes and sizes

Technical data

- Mounting cut-out: 22.3 mm
- Screw or spring-type terminal
- Front protection types IP66, IP67 and IP69K
- Approved according to UL, CSA, CCC
- Switch rating max 500V, max. 10A

Dimensions



Ø40 mm Actuator



Housing material	Illumination	Part No.
Plastic	Yes	45-2D36.1920.000
Plastic	No	45-2C36.1920.000
Metal	Yes	45-2D36.2920.000
Metal	No	45-2C36.2920.000

Switching element (Screw terminal)



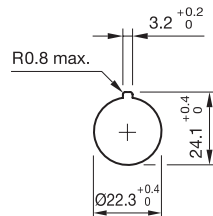
Contacts	Contact material	Part No.
1 NC contact	Silver	45-312.1Z10
1 NC contact	Gold	45-312.1X10
1 NO contact	Silver	45-311.1Z10
1 NO contact	Gold	45-311.1X10

Holder



Housing material	Part No.
Plastic	45-2D36.1920.000
Metal	45-2C36.1920.000

Mounting cut-out



All dimensions in mm.