

Actuator

45-2C36.1920.000



Your Expert Partner for Human Machine Interfaces



Your product:



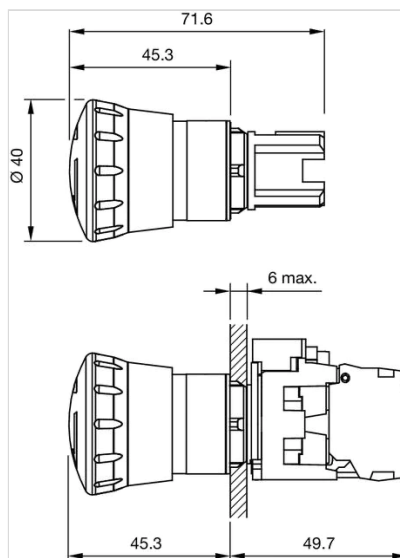
45-2C36.1920.000
Actuator

FRONT

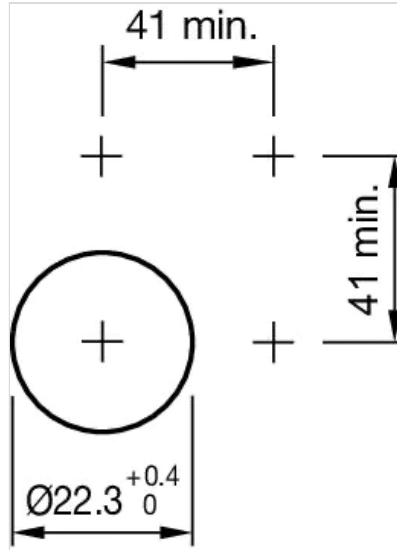
Front dimension: Ø 40 mm
Front bezel colour: Black
Front bezel material: Plastic

OTHER

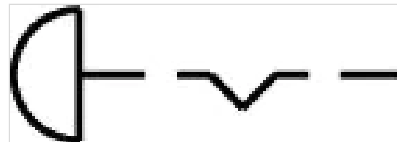
Lens illumination: non illuminative
Housing colour: Yellow
Housing material: Plastic
Weight: 0.045 kg
Release type: Twist to unlock
Terminal: , x
Dimensions:



Mounting cut-outs:



Wiring diagrams:



MECHANICAL CHARACTERISTIC

Mechanical lifetime: 300 000 cycles of operation

Operating frequency: Max. 600/h

AMBIENT CONDITION

Climate resistance: During operation according to IEC 60721: 3K6, 3C3, 3S2, 3M6

Operating temperature: - 25 °C ... + 70 °C

Storage temperature: - 40 °C ... + 80 °C