



Mechanical temperature controllers / contact thermostats **THERMASREG® ALTR** with switching output (two-position controller) for monitoring, controlling and limitation of temperatures at pipes or vessels, e.g. in connection with hot-water or floor heating systems. The contact temperature controller ALTR is built as one-step device, as adjustable temperature controller **TR** (with external setting) or as adjustable temperature monitor **TW** (with internal setting).

TECHNICAL DATA

Switching capacity:	24 ... 250 V AC + 10%, 16 A, cos φ = 1.0 (Contact load) 24 ... 250 V AC + 10%, 1.5 A, cos φ = 0.6 at 24 V AC min. 150 mA
Contact:	dust-proof switch block unit as potential-free single-pole changeover contact
Housing:	plastic, UV-resistant, material polyamide, 30% glass-globe reinforced, colour traffic white (similar to RAL 9016)
Housing dimensions:	108 x 70 x 73.5 mm (Thor 2)
Cable gland:	M20 x 1.5; including strain relief
Housing temperature:	-35...+65 °C
Tolerance:	T _{min} ± 5 K; T _{max} ± 5 K
Design principle:	torsion meter with liquid filling
Process connection:	endless strap with metal tightener (included in the scope of delivery), Ø = 13 - 92 mm (1/4 - 3"), L = 300 mm
Electrical connection:	0.14 - 2.5 mm ² via terminal screws
Protection class:	I (according to EN 60 730)
Protection type:	IP 65 (according to EN 60 529)
Standards:	CE conformity, EMC directive 2014 / 30 / EU, low-voltage directive 2014 / 35 / EU

FUNCTION

Heating: The preset setpoint (scale value) is equivalent to the switch-off value of the heating. The switch-on value is lower by the amount of operating difference. Contact 2-3 breaks when temperature rises to the preset value.

Cooling: The preset setpoint (scale value) is equivalent to the switch-on value of the cooling. The switch-off value is lower by the amount of operating difference. Contact 1-2 closes when temperature rises to the preset value.

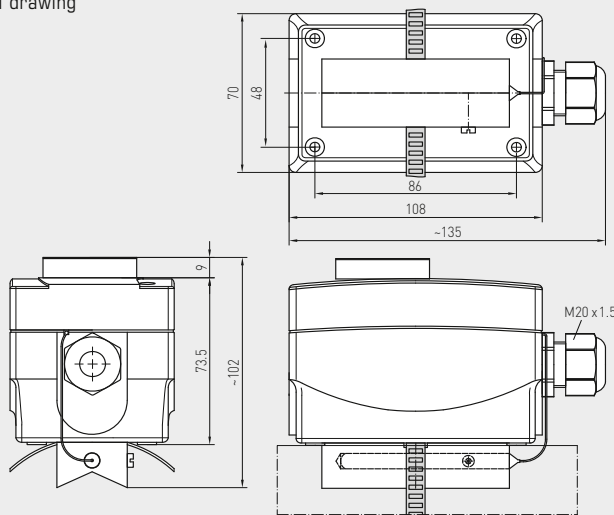
ALTR 1/3/5/7



ALTR 1/3/5/7U

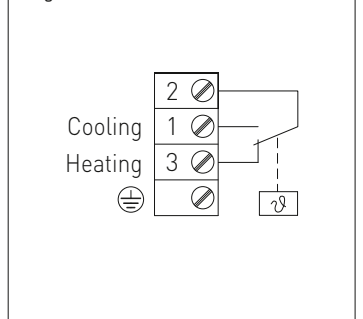


Dimensional drawing



ALTR 1/3/5/7

Connecting diagram ALTR 1/3/5/7



THERMASREG® ALTR 1 / 3 / 5 / 7 Surface contact temperature controllers

Type/WG01	Temperature Range	Thermal Operating Difference (fixed) approx.	Max. Capillary Temperature	Item No.	Price
ALTR 1/3/5/7					
ALTR-1	-35... +35 °C	5K (± 1 K)	+60 °C	TR (External setting) 1102-1030-1100-100	88,79 €
ALTR-3	0... +60 °C	5K (± 1 K)	+75 °C	1102-1030-1100-300	88,79 €
ALTR-5	0... +90 °C	5K (± 1 K)	+120 °C	1102-1030-1100-400	88,79 €
ALTR-7	0... +120 °C	5K (± 1 K)	+130 °C	1102-1030-1100-500	88,79 €
Extra charge:	U = Internal setting (TW), e.g. ALTR-1 U				8,78 €