

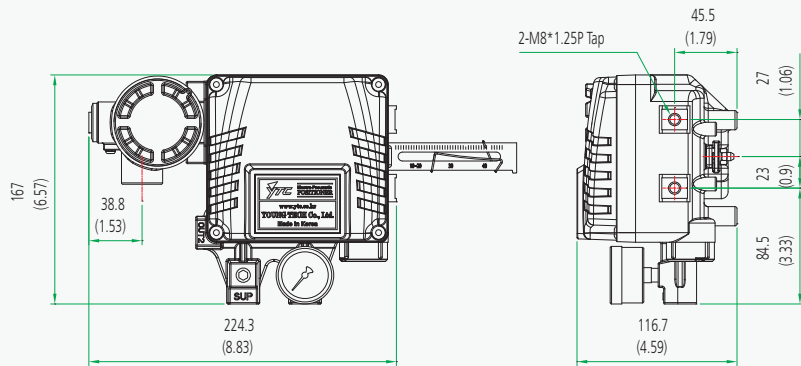
Electro-Pneumatic Positioners YT-1000 / YT-1050

Design features

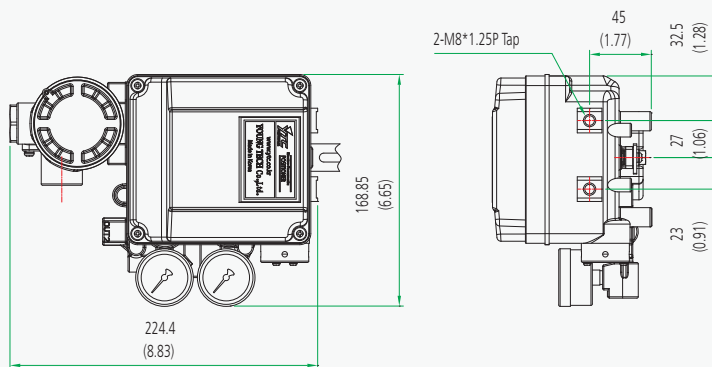
- **Simple zero and span adjustment.** Internal hand dials and locking screws for adjustments.
- **Reverse & Direct Acting Settings.** Full and 1/2 split range setting by simple adjustment.
- **High vibration resistant.** No resonance between 5 to 200 Hz.
- **Internal feedback option.** Available on weatherproof model only.
- **Auto / Manual switch.** Internal adjustment with lock screw safety.



YT-1000 Aluminum Enclosure



YT-1050 STS316 Enclosure



Dimensions: mm (Inches ")

Electro-Pneumatic Positioners YT-1000 / YT-1050

Item Type	YT-1000	YT-1050	
Input Signal	4 to 20 mA DC		
Impedance	250 ± 15 Ω		
Supply Pressure	0.14 to 0.7 MPa (1.4 to 7 bar)		
Stroke	Linear Type	10 to 150 mm	
	Rotary Type	0 to 90°	
Air Connection	PT(NPT,G)1/4	NPT 1/4	
Gauge Connection	PT(NPT)1/8	NPT 1/8	
Conduit	G(PF,NPT)1/2, M20	G 1/2 (PF 1/2)	
Explosion Protection Type	ATEX (II 2 G) Ex dmb IIB T5		
	IECEX (II 2 G) EEx mb IIB T5		
	KCs Ex dmb IIB T5/T4 / Ex d IIC T5 IP66 / Ex ia IIB T6 Gb	KCs Ex dmb IIB T5	
	TS Ex db mb IIB T5 Gb X		
	CSA (Class I, Zone 1) Ex dm IIB T5		
	FM XP-S/I/1/CD/T5 Ta=60°C; DIP/II,III/1/EFG/T5 Ta=60°C; Type 4X		
	NEPSI Ex ia IIC T6 Ex dmb IIC T6 Gb		
	TIIS Ex dmb IIB T5		
	Ingress Protection	IP66	
	Operating Temp.	Operating	-20 to 70 °C (-4 to 158 °F)
Explosion		-20 to 60 °C (-4 to 140 °F)	
Linearity	Single	± 1% F.S.	
	Double	± 2% F.S.	
Hysteresis	± 1% F.S.		
Sensitivity	Single	± 0.2% F.S.	
	Double	± 0.5% F.S.	
Repeatability	± 0.5% F.S.		
Air Consumption	2.5 LPM (sup = 0.14 MPa)		
Flow Capacity	80 LPM (sup = 0.14 MPa)		
Material	Aluminium Diecasting	Stainless steel 316	
Weight	YT-1000L: 2.7 kg (6.1 lb) YT-1000R: 2.8 kg (6.2 lb) YT-1050: 5.71 kg (12.6 lb)		

Product Code

YT-1000 - R - S - N - 1 - 1 - 4 - S - 0 - (0)

Model

YT-1000 = Aluminum
YT-1050 = STS316

Motion Type

L = Linear
R = Rotary

Acting Type

S = Single
D = Double

Explosion Protection

N = Non-Explosion
M = ATEX, IECEx, TS, KCs, CSA
F = FM (YT-1000 only)
C = Ex d KCs, NEPSI (YT-1000 only)
I = Exia KCs (YT-1000 only)
X = TIIS (YT-1000 only)

Lever Type

Linear	Rotary
1 = 10 to 40 mm	1 = M6 X 34L
2 = 30 to 70 mm	2 = M6 X 63L
3 = 60 to 100 mm	3 = M8 X 34L
4 = 100 to 150 mm	4 = M8 X 63L
	5 = NAMUR

Orifice Type

1 = Ø1
2 = Ø2
3 = None

Conduit & Air Connection

YT-1000	YT-1050
1 = G1/2 - PT1/4	2 = G1/2 - NPT1/4
2 = G1/2 - NPT1/4	
3 = G1/2 - G1/4	
4 = M20 - NPT1/4	
5 = NPT1/2 - NPT1/4	

Operating Temp.

S = -20 to 60 °C
H = -20 to 120 °C
L = -40 to 60 °C

Option 1

YT-1000L	YT-1000R
0 = None	0 = None (St'd)
2 = 4 to 20 mA feedback (Smart Type)	1 = Dome Cover
3 = 4 to 20 mA feedback with LCD (Smart Type)	

Option 2 (YT-1000R only)

0 = None
1 = 4 to 20 mA feedback (Internal - only for non-explosion area protection)
2 = 4 to 20 mA feedback (External)
3 = Limit Switch (Internal - only for non-explosion area protection)
4 = Limit Switch (External)
5 = 4 to 20 mA feedback + Limit Switch
(Internal - only for non-explosion area protection)
6 = SPTM + Limit Switch (External)