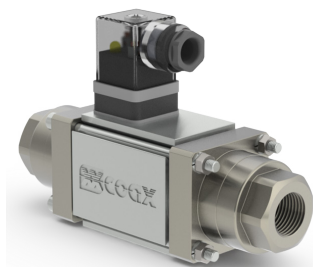
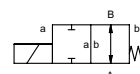
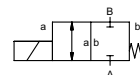


# coaxial valve

type **MK 10** - 64 bar  
**MK 10** - 100 bar



**2/2 way valve** **direct acting**  
**pressure range** PN 0-64 / 0-100 bar  
**orifice** DN 10 / 8 mm  
**connection** thread  
**function** valve normally closed  
symbol **NC**  
valve normally open  
symbol **NO**



**⚠** Above stated body materials refer to the valve port connections that get in contact with the media only!

**design** pressure balanced, with spring return  
**body materials** ① brass ②  
③ ⑤  
④ ⑥ stainless steel  
⑩ aluminium  
**valve seat** synthetic resin on metal  
**seal materials** NBR PTFE, FPM, EPDM

**details needed**

- orifice
- port
- function NC/NO
- operating pressure
- flow rate
- media
- media temperature
- ambient temperature
- nominal voltage

**general specifications**

**options**

<b>ports</b>	MK	threads G 1/4 - G 3/4	special threads
<b>function</b>		NC	NO
<b>pressure range</b>	bar	0-64   0-100	
<b>Kv value</b>	m <sup>3</sup> /h	2,3   1,6	
<b>vacuum</b>	leak rate		< 10 <sup>-4</sup> mbar•l•s <sup>-1</sup>
<b>pressure-vacuum</b>	P <sub>1</sub> ↔ P <sub>2</sub>		upon request
<b>back pressure</b>	P <sub>2</sub> > P <sub>1</sub>		available (max. 16 bar)
<b>media</b>		gaseous - liquid - contaminated	
<b>abrasive media</b>			
<b>damping</b>	opening		
	closing		
<b>flow direction</b>	A ↔ B	as marked	bi-directional (max. 16 bar)
<b>switching cycles</b>	1/min	200	
<b>switching time</b>	ms	opening 135 closing 20	
<b>media temperature</b>	°C	DC: -10 to +100 AC: -10 to +100	-30 to +120 -30 to +120
<b>ambient temperature</b>	°C	DC: -10 to +80 AC: -10 to +80	
<b>limit switches</b>			upon request
<b>manual override</b>			
<b>approvals</b>			LR/GL/WAZ
<b>mounting</b>			mounting brackets
<b>weight</b>	kg	MK 2,2	
<b>additional equipment</b>			upon request

**electrical specifications**

**options**

<b>nominal voltage</b>	U <sub>n</sub>	DC 24 V AC 230 V 40-60 Hz	special voltage upon request special voltage upon request
<b>actuation</b>	DC AC	direct-current magnet direct-current magnet with integrated rectifier	
<b>insulating rating</b>	H	180°C	
<b>protection</b>	IP65		
<b>energized duty rating</b>	ED	100%	
<b>connection</b>		plug acc. DIN EN 175301-803 form A, 4 positions x90° / wire diameter 6-8 mm	terminal box M16x1,5
<b>optional additional equipment</b>	M12x1	connector acc. DESINA illuminated plug with varistor	connector acc. VDMA
<b>current consumption</b>	N-coil	DC 24 V 1,33 A AC 230 V 40-60 Hz 0,14 A	
<b>explosion proof</b>			
<b>limit switches</b>			

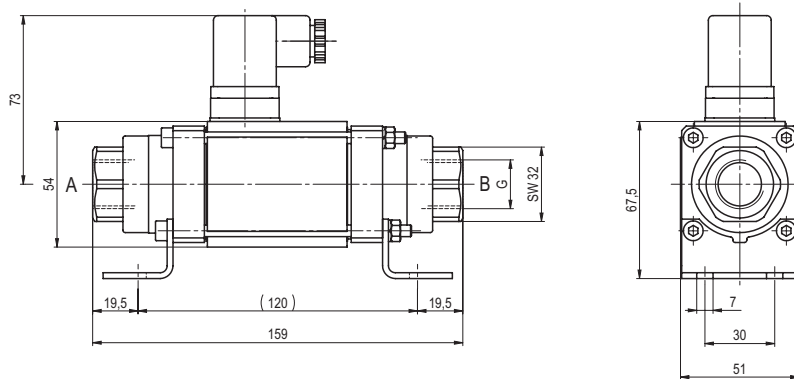
**⚠** The valves' technical design is based on media and application requirements. This can lead to deviations from the general specifications shown on the data sheet with regards to the design, sealing materials and characteristics.

**⚠** If order or application specifications are incomplete or imprecise there exists a risk of an incorrect technical design of the valve for the required application. As a consequence, the physical and / or chemical properties of the materials or seals used, may not be suitable for the intended application.

■ specifications not highlighted are standard  
■ specifications highlighted in grey are optional

type **MK 10** - 64 bar

function: **NC**  
closed when not energized



type **MK 10** - 100 bar

function: **NO**  
open when not energized

