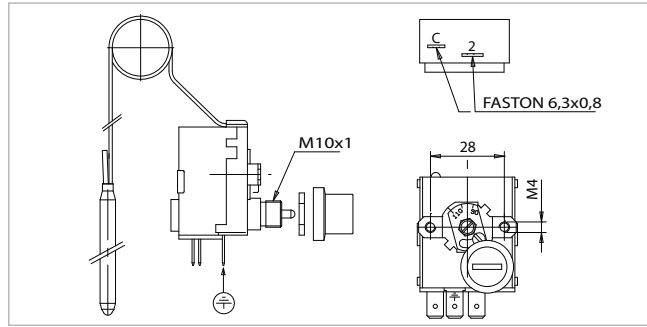
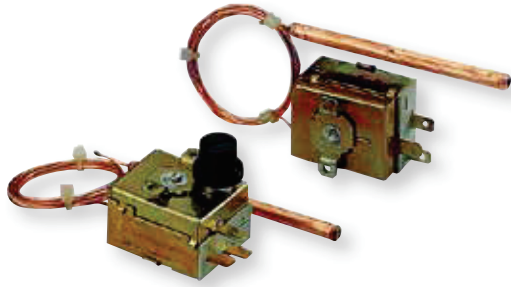


LS1/LS3 CAPILLARY SECURITY LIMITERS

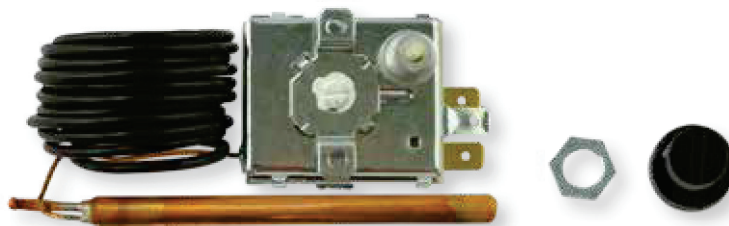


LS1 / LS3 is a capillary thermostat with a liquid expansion probe, unipolar, with safety temperature limiter with manual or automatic reset and with positive safety in case of capillary breakage. It is particularly suitable for boilers, heating systems and in all those appliances where it is necessary not to exceed a maximum set temperature.

Switches = interrupted due to temperature increase
 Max. head temperature = 85°C
 Copper bulb = 125°C
 Copper bulb = Ø 6,5 x 95 mm
 Min. capillary curvature radius = 5 mm
 Certifications = CE, ENEC03, EAC, UL, CSA

Code	Article	Temperature °C	Capillary length mm	Electrical contact capacity	Reset	Pack.
541510	LS1	+90/+110	1000	16(6) A/ 250 V~	MANUAL	100
541550	LS1 INAIL	+100	1000	16(6) A/ 250 V~	MANUAL	100
541563	LS1 INAIL	+100	1500 PVC	16(6) A/ 250 V~	MANUAL	100
541750	LS3	+100	1000	100mv 0.3A cc	AUTOMATIC	100
541752	LS3	+100	1000	100mv 0.3A cc	AUTOMATIC	100

KIT LS1 CAPILLARY SECURITY LIMITERS



KIT LS1 includes a LS1 100° C with capillary 1500 PVC, INAIL certified, with manual reset, complete with cap and stop.

Code	Article	Description	Pack.
5R1569	KIT LS1	Single package with LS1, Cap and stop	10