

## HB Removable Core Type Industrial Immersion Heaters

The HB range of screwed or flanged immersion heaters is an inexpensive solution for all commercial and industrial hot water cylinders, process tank heating, cooling tower frost protection and other applications which are non-corrosive to the materials of construction. The HB range of heaters can be supplied with an adjustable control thermostat scaled to suit the specific application.

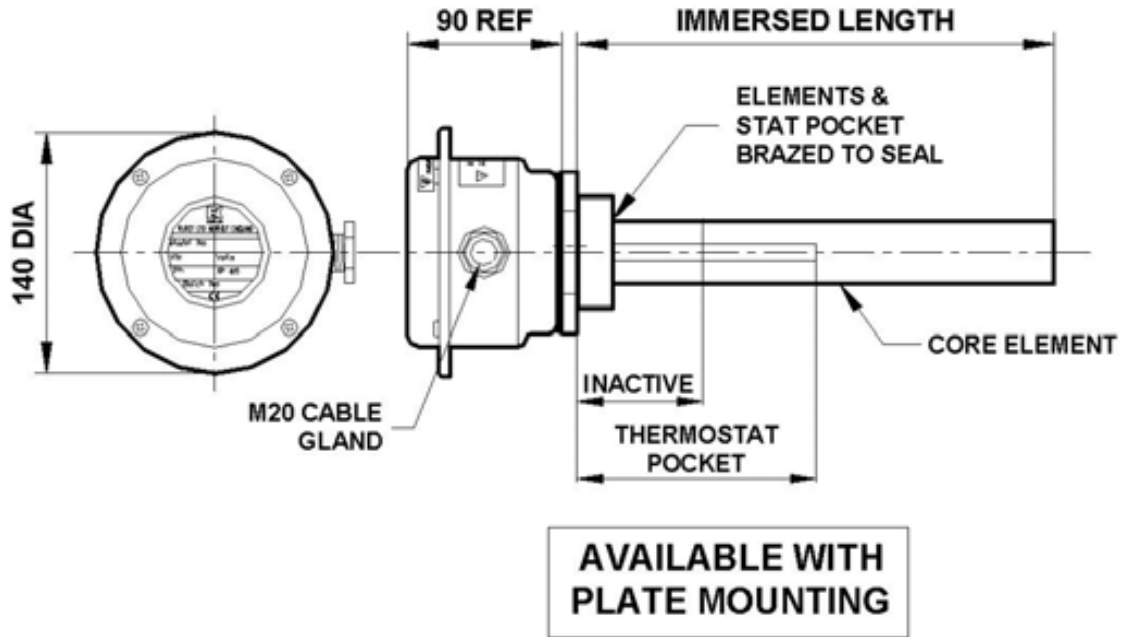


### FEATURES

- Certified weatherproof to IP66
- Robust lightweight aluminium enclosure
- Fitted with control and limit (on request) thermostats
- Suitable for working pressures of up to 8 barg (higher working pressures are available on request)
- All stock coded models fitted with Incoloy 825 elements and 2-off stainless steel thermostat pockets
- Terminal box can be rotated through 360 degrees to allow final cable entry position to be chosen
- Heavy duty brass fixing boss screwed 2", 2¼" or 2½" BSP, alternatively supplied with square mounting flange
- Up to two cable entries (standard 1-off)
- Standard immersion heaters are designed for horizontal installation (heaters for vertical installation are available on request)

### TYPICAL APPLICATIONS

- Hot water storage tanks
- Pre-heating oil and water
- Food processing equipment
- Cleaning and rinsing equipment
- Heat transfer, process and boiler equipment
- Frost protection



This range is recommended for applications where the equipment cannot be easily drained. Heat is transferred to the liquid by means of removable ceramic heating elements within a carrier tube to allow replacement without draining. Automatic control can be achieved by fitting a thermostat into the integral pocket. Sheath material available in stainless steel or mild steel. Rating up to 6kW.

**WATER / OIL**

List No. 2" BSP Fixing	List No. 2 1/4" BSP Fixing	List No. 95mm Plate	Loading (kW)			Phase	Immersed Length	
			220V	240V	254V		Ins	mm
HBS123BS	HBS123AS	HBS123S	0.84	1.00	1.1	1	23	584
HBS244BS	HBS244AS	HBS244S	1.7	2.00	2.24	1	44	1118
HBS366BS	HBS366AS	HBS366S	2.52	3.00	3.36	1	66	167

**OIL**

List No. 2" BSP Fixing	List No. 2 1/4" BSP Fixing	List No. 2 1/2" BSP Fixing *	Loading (kW)			Phase	Immersed Length		
			220V	240V	254V		Ins	mm	* mm (2 1/2" BSP)
HBX 115/B	HBX 115/A	HBX 108/D	0.84	1.00	1.12	1	15	381	200
HBX 226/B	HBX 226/A	HBX 216/D	1.63	2.00	2.24	1	26	660	406
HBX 336/B	HBX 336/A	HBX 324/D	2.52	3.00	3.36	1/3	36	914	610
HBX 447/B	HBX 447/A	HBX 432/D	3.36	4.00	4.48	1/3	47	1194	812
HBX 557/B	HBX 557/A	HBX 540/D	4.20	5.00	5.60	1/3	57	1448	1016