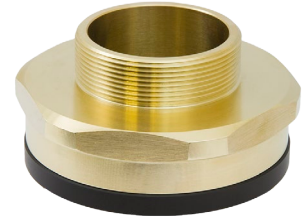




TYPE A



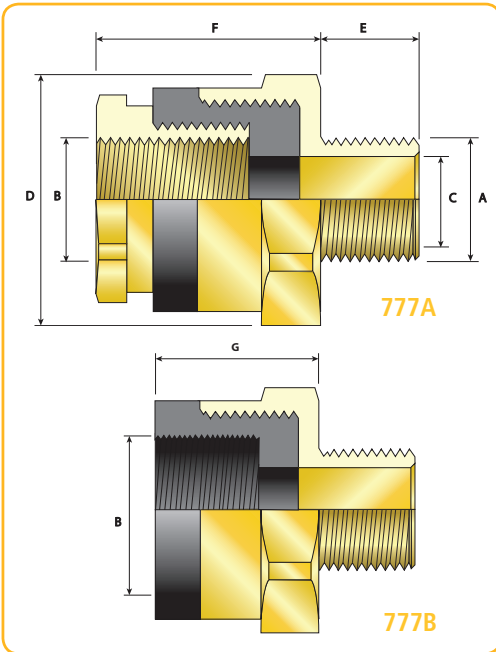
TYPE B

777

Ex e Ex d Ex ta

777 Insulated Adaptor, Globally Approved, Explosive Atmosphere Cable / Conduit Accessory

- Isolates metallic Cable Glands from equipment
- Essential in areas of high electromagnetic noise
- Particularly relevant in power plants
- General purpose / industrial version available
- Can be supplied with thread conversion
- -60°C to +130°C
- Globally marked, IECEx, ATEX & cCSAus



| TECHNICAL DATA | |
|---------------------------------|--|
| Design Specification | BS 6121:Part 1:1989 |
| Enclosure Protection | IK10 to IEC 62262 (20 joules) Brass & Stainless Steel Only |
| ATEX Certificate | SIRA10ATEX1057U |
| Code of Protection | Ⓔ II 2 GD Ex d IIC Gb / Ex e IIC Gb / Ex ta IIIC Da |
| Compliance Standards | EN 60079-0,1,7,31 |
| IECEX Certificate | IECEX SIR 10.0027U |
| Code of Protection | Ex d IIC Gb / Ex e IIC Gb / Ex ta IIIC Da |
| Compliance Standards | IEC 60079-0,1,7,31 |
| cCSAus Certificate | 1055233 |
| Code of Protection | Class I, Groups A, B, C and D; IP66, 67, 68; Enclosure Type 4X; DIP A; Ex de II, Class I, Zone 1, AEx de II; |
| Compliance Standards | C22.2 No. 0, 0.5, 30, 94, CAN/CSA E60079-0,1,2, UL 50 Edition 11, UL 1203 Edition 4, UL 60079 parts 0,1,7 |
| EAC Certificate | TC RU C-GB.AA87.B.00487 |
| UkrSEPRO | UA.TR.047.C.0644-15 |
| CCOE / PESO (India) Certificate | P333688 |
| INMETRO Approval | TÜV 12.1331U |
| RETIE Approval | 03866 |
| Marine Approvals | LRS: 01/00173, ABS: 17-LD1619350-PDA |
| Ingress Protection Rating** | IP66, IP67 & IP68*** |
| Available Materials | Brass, Electroless Nickel Plated Brass, Aluminium, Stainless Steel |

** When CMP installation accessories are used. Refer to page 7 or www.cmp-products.com for further information.
 *** IP68 tested to a minimum depth of 30 metres for 12 hours, alternate depths / durations can be provided upon request

HOW TO ORDER

e.g. 777 - D - A - M - 3 - M - 3 - 5
 = Dual Certified Ex d & Ex e - Type A - M25 (M) x M25 (F) - Nickel Plated Brass

Other Thread Variations are available on request. For further information on ordering please refer to page 150.

Please note that the Type B version of the 777 insulated adaptors are only certified Ex d when they are installed in conjunction with a corresponding CMP certified cable gland.

| Product Selection Table | | | | | | | | | | |
|---------------------------|---------------------------|----------------------|---------------------------|---------------------------------|---------------------------------|---------------------------|---------------------------------------|---------------------------------------|------------------|--------------------|
| Ordering Reference Type A | Ordering Reference Type B | Male Thread Size "A" | Minimum Thread Length "E" | Female Thread Size "B" (Type A) | Female Thread Size "B" (Type B) | Maximum Bore Diameter "C" | Nominal Protusion Length "F" (Type A) | Nominal Protusion Length "G" (Type B) | Across Flats "D" | Across Corners "D" |
| 777DAM2M2 | 777DBM2M2 | M20 X 1.5 | 15.0 | M20 X 1.5 | M20 X 1.5 | 14.0 | 37.8 | 26.7 | 36.0 | 39.6 |
| 777DAM3M3 | 777DBM3M3 | M25 X 1.5 | 15.0 | M25 X 1.5 | M25 X 1.5 | 20.0 | 36.2 | 27.2 | 46.0 | 50.6 |
| 777DAM4M4 | 777DBM4M4 | M32 X 1.5 | 15.0 | M32 X 1.5 | M32 X 1.5 | 26.3 | 35.7 | 26.7 | 55.0 | 60.5 |
| 777DAM5M5 | 777DBM5M5 | M40 X 1.5 | 15.0 | M40 X 1.5 | M40 X 1.5 | 32.1 | 35.7 | 26.7 | 70.1 | 77.1 |
| 777DAM6M6 | 777DBM6M6 | M50 X 1.5 | 15.0 | M50 X 1.5 | M50 X 1.5 | 44.2 | 36.7 | 26.7 | 80.0 | 88.0 |
| 777DAM7M7 | 777DBM7M7 | M63 X 1.5 | 15.0 | M63 X 1.5 | M63 X 1.5 | 53.0 | 38.2 | 32.2 | 100.0 | 110.0 |
| 777DAM8M8 | 777DBM8M8 | M75 X 1.5 | 15.0 | M75 X 1.5 | M75 X 1.5 | 64.8 | 41.2 | 31.2 | 110.0 | 123.0 |
| 777DAM9M9 | 777DBM9M9 | M90 X 2.0 | 24.0 | M90 X 2.0 | M90 X 2.0 | 79.3 | 52.7 | 47.2 | 132.2 | 135.5 |

All dimensions shown are in millimetres unless otherwise stated