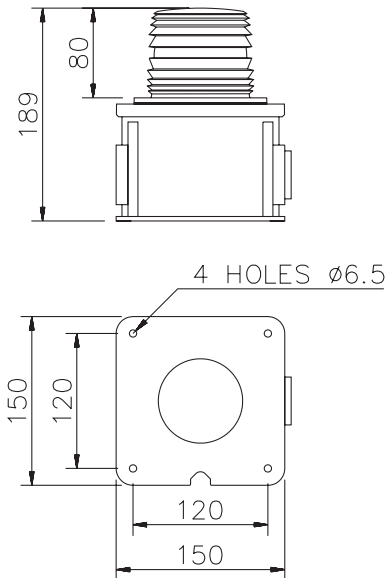


Series V



Innovative, heavy-duty industrial hazard warning beacon with optimised external lens ribbing to maximise available light transfer for enhanced long-range visibility. May be used singly or in groups with other Series T, Series U or Series V beacons for multi-status signalling. Unique ratchet system allows individual units to be orientated in respect to each other in 10° steps when multiple devices are clamped together. Incorporates fixing holes on 120 x 120mm centres for direct surface mounting and two 20mm dia. entries (one each side) for direct conduit/gland entry and/or to facilitate linking together of multiple units. Gland, Blanking Plug, Joining Tube, Sealing O-ring and Locknuts are provided for use singly or in groups of 2 or more co-joined beacons.

Cage Guard : G5 or G8
Wall Mounting Brackets: MB14 (fixed right-angle) or MB15 (adjustable pivot)

RFV/TH20 Rotating Mirror Beacon with Tungsten Halogen Lamp

- Lower powered rotating mirror beacon.
- Ideal for Fire Alarm applications where limited power is available.
- Unique 'quiet-drive' system incorporating direct motor/turntable self-adjusting coupling and long life ball-race bearing. Eliminates nuisance of drive belt breakage and reduces drive-train noise.
- 360° All-round visibility.
- 12Vdc and 24Vdc models available.

Supply voltage	12Vdc	24Vdc
Supply voltage limits		± 15%
Supply current	1.7A	950mA
Luminous intensity		
Red		25Cd
Amber		75Cd
Green		45Cd
Lamp rating		20W
Reflector		±3°
Flash/min		240fpm (3Hz)
Temperature limits		-20C, +55C
IEC protection class		IP65

Example Order Code: RFV/DC/24/TH20/Amber

XFV/11 Joule and XFV/5 Joule Xenon Strobe Beacons

- High energy xenon strobe beacon.
- Repetitive Dual Flash (DH) and Single Flash (SH) models.
- Long-life xenon tube - typically > 20,000,000 flashes.
- 12Vuc, 24Vuc, 115Vac and 230Vac 11 Joule models.
- 12-100Vdc (12-72Vac) automatic voltage-ranging 5 Joule model (VRA).
- /SYNC terminals allow multiple units to be flashed in synchronisation.
- 360° All-round and 270° All-over visibility.
- Special 240Vdc model also available.

Supply voltage	12Vuc	24Vuc	115Vac	230Vac	VRA
Supply voltage limits			± 15%		n/a
Supply current	1.36A	680mA	160mA	80mA	7W
Luminous intensity					
Red			115Cd		52Cd
Amber			264Cd		120Cd
Green			264Cd		120Cd
Blue			88Cd		40Cd
Clear			440Cd		200Cd
Flash Energy			11J		5J
Flash Event			DH or SH		SH Only
Flash rate adjustment			30, 45, 60, 90 fepm		
Temperature limits			-40C, +55C		
IEC protection class			IP65		

Example Order Code: XFV/UC/24/SH/11J/Red

For Installation Accessories please refer to page 73

D.G. Controls Limited

Cadley Hill Road, Swadlincote, Derbyshire, DE11 9TB, ENGLAND.

Tel: +44 (0) 1283 550850 Fax: +44 (0) 1283 550776 E-mail: sales@deegee.com www: http://www.deegee.com

Copyright © Reserved



Series V



XFV/7 Joule Xenon Strobe Beacon

- Medium energy xenon strobe beacon.
- Repetitive Single Flash (SH) models.
- Long-life xenon tube - typically > 20,000,000 flashes.
- 12Vdc, 24Vdc, 115Vac and 230Vac 7 Joule models.
- /SYNC terminals allow multiple units to be flashed in synchronisation.
- 360° All-round and 270° All-over visibility.

Supply voltage	12Vdc	24Vdc	115Vac	230Vac
Supply voltage limits			± 15%	
Supply current	500mA	360mA	130mA	65mA
Luminous intensity	Red		75Cd	
	Amber		168Cd	
	Green		168Cd	
	Blue		56Cd	
	Clear		280Cd	
Flash Energy			7J	
Flash Event			SH	
Flash rate adjustment			30, 45, 60, 90 fepm	
Temperature limits			-40C, +55C	
IEC protection class			IP65	

Example Order Code: XFV/DC/24/SH/7J/Red



XFV/2.5 Joule Xenon Strobe Beacon

- Low energy xenon strobe beacon.
- Repetitive Single Flash (SH) models.
- Long-life xenon tube - typically > 20,000,000 flashes.
- 12Vdc, 24Vdc, 115Vac and 230Vac 2.5 Joule models.
- 360° All-round and 270° All-over visibility.

Supply voltage	12Vdc	24Vdc	115Vac	230Vac
Supply voltage limits			± 15%	
Supply current	330mA	170mA	60mA	30mA
Luminous intensity	Red		26Cd	
	Amber		60Cd	
	Green		60Cd	
	Blue		20Cd	
	Clear		100Cd	
Flash Energy			2.5J	
Flash Event			SH	
Flash rate adjustment			60 fpm	
Temperature limits			-40C, +55C	
IEC protection class			IP65	

Example Order Code: XFV/AC/115/SH/2.5J/Green



PSV/B15D Pulsed (Flashing) Beacon

- Solid-state operation.
- 12Vdc, 24Vdc, 115Vac and 230Vac versions.
- 24Vac version available to order - see 24Vdc versions for specification.
- 50% duty cycle (equal on/off periods).
- Terminals on-board for additional slave beacons - up to rated maximum slave load.
- 360° All-round and 270° All-over visibility.

Supply voltage	12Vdc	24Vdc	115Vac	230Vac
Supply voltage limits			± 15%	
Supply current	1.75A	875mA	130mA	65mA
Luminous intensity	Red	15Cd	11Cd	19Cd
	Amber	45Cd	34Cd	56Cd
	Green	27Cd	20Cd	34Cd
	Blue	9Cd	7Cd	11Cd
	Clear	60Cd	45Cd	75Cd
Lamp rating	21W		15W	25W
Max slave load	48W		180W	360W
Flash/min			40fpm (0.667Hz)	
Temperature limits			-20C, +55C	
IEC protection class			IP65	

Example Order Code: PSV/AC/115/B15D/Amber



SBV Static (Non-flashing) Beacon

- Continuously rated indicator lamps.
- Ideal slaves (not CFT) to conventional pulsed *deege* beacons (not LED).
- Standard filament lamp models and low-energy CFT compact fluorescent models.
- 360° All-round and 270° All-over visibility.

		Filament Lamp				CFT
Supply voltage	12Vuc	24Vuc	50Vuc	115Vuc	230Vuc	230Vac
Supply voltage limits				± 15%		± 15%
Supply current	1.75A	875mA	300mA	130mA	110mA	45mA
Luminous intensity	Red	12Cd	11Cd	11Cd	19Cd	12Cd
	Amber	45Cd	34Cd	34Cd	56Cd	45Cd
	Green	27Cd	20Cd	20Cd	34Cd	27Cd
	Blue	9Cd	7Cd	7Cd	11Cd	9Cd
	Clear	60Cd	45Cd	45Cd	75Cd	60Cd
Lamp rating	21W	15W	15W	15W	25W	10W
Temperature limits				-20C, +55C		
IEC protection class				IP65		

Example Order Code: SBV/UC/24/B15D/Clear



For Installation Accessories please refer to page 73

D.G. Controls Limited

Cadley Hill Road, Swadlincote, Derbyshire, DE11 9TB, ENGLAND.

Tel: +44 (0) 1283 550850 Fax: +44 (0) 1283 550776 E-mail: sales@deege.com www: http://www.deege.com

Copyright © Reserved