



- Cost savings thanks to low weight and small installation area
- Easily adapted should there be any changes to an order
- More installation space thanks to a large installation volume
- Compact and flexible machinery and system design
- More control functions available
- Shorter planning and project turnaround times
- Low operating and maintenance costs
- Higher system availability and increased productivity

E3

WebCode **8280A**



The new EXpressure technology safely dissipates explosion pressure in cabinets, control boxes and other enclosures via flow channels. As a result, the lightweight and compact EXpressure enclosure, manufactured in accordance with industrial cabinet dimensions with a control panel made from industrial components, can be positioned as close as possible to the process for zones 1 and 2.

	ATEX / IECEx					
Zone	0	1	2	20	21	22
Installation in		•	•			

Selection Table							
Material	Stainless steel screws						
Cover mounting	Dimensions (WxHxD)	Hinge	Volume	Product Type	Art. No.	PS	Weight kg
	300 x 400 x 200 mm	without	24 cm ³	8280/-20-2.11-1	264241	99	37.000
	400 x 600 x 300 mm	with	72 cm ³	8280/-31-2.11-1	263860	99	79.000
	600 x 800 x 400 mm	with	192 cm ³	8280/-41-2.11-1	263859	99	153.000
	1000 x 1400 x 700 mm	with	980 cm ³	8280/-62-2.11-2	264577	99	551.000
	1000 x 1400 x 700 mm	with	980 cm ³	8280/-62-2.21-2	267378	99	590.000

Ex d cabinet with base plate, without built-in components

Technical Data	
Explosion Protection	
Gas explosion protection IECEx	8280/0: Ex db sb IIB Gb 8280/5: Ex db eb ia [ja Ga] ib [jb Gb] mb op pr [op is] sb IIB T5...T3 Gb
Gas explosion protection ATEX	8280/0: Ⓜ II 2 G Ex db IIB Gb 8280/5: Ⓜ II 2 G Ex db eb ia [ja Ga] ib [jb Gb] mb op pr [op is] IIB T5...T3 Gb
Certificates	ATEX (BVS), ATEX (PTB), IECEx (BVS), IECEx (PTB)
Electrical Data	
Rated operational voltage AC	11 kV
Rated operational current	1250 A
Ambient Conditions	
Ambient temperature T _a	-40 °C ≤ T _a ≤ +60 °C

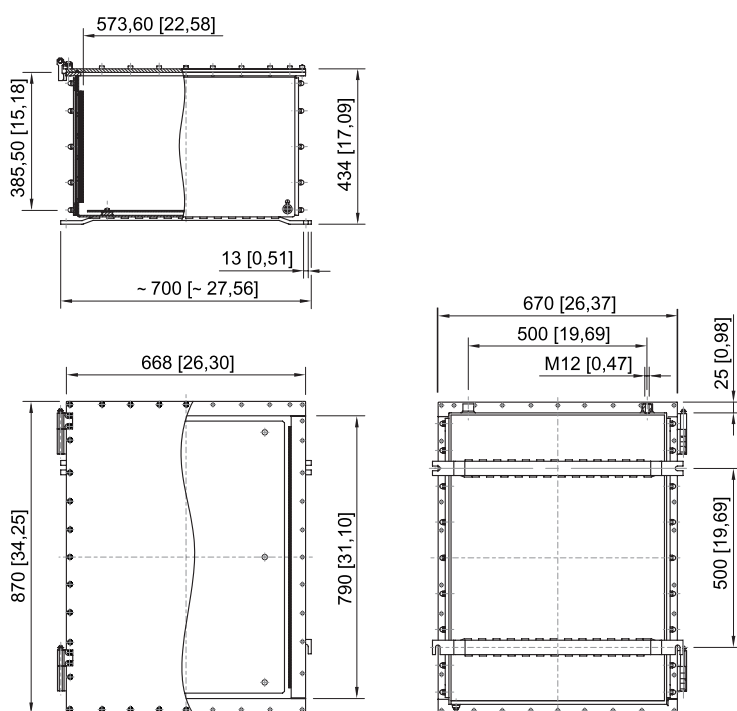
Technical Data

Mechanical Data

Degree of protection (IP)	IP66
Cover seal	silicone
Connection cross section max.	300 mm ²
Prot. conduct. connection size	M6
Prot. conduc. conn. labelling	In-/outside of the enclosure

Wall mounting: only using mounting brackets
 Stand variant: only for SZ 62 enclosures (only possible without connection chamber)

Dimensional Drawings (All Dimensions in mm [inches]) – Subject to Alterations



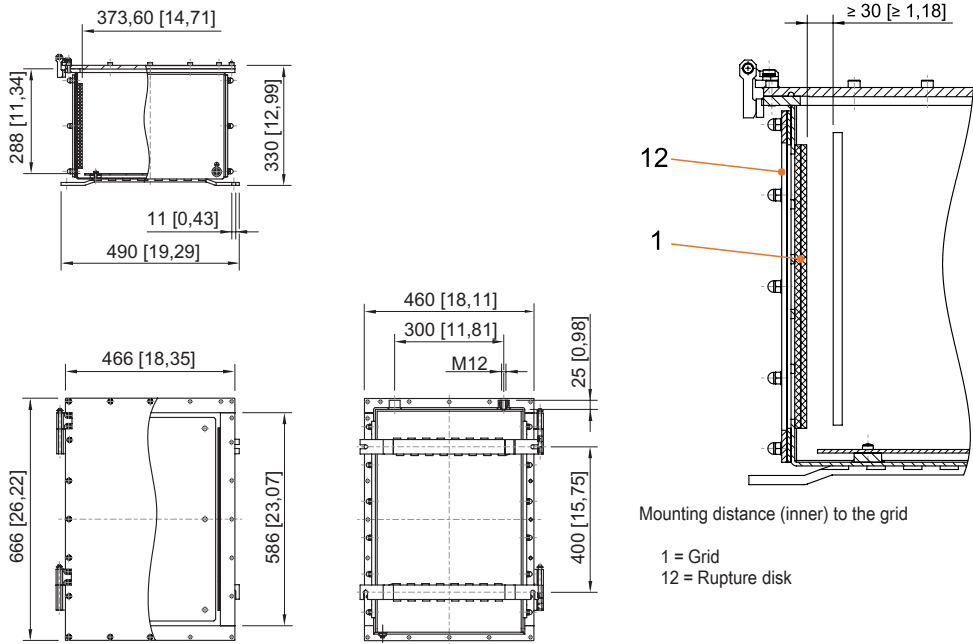
Enclosure size 41

Ex d Cabinet/EXpressure Empty Enclosure

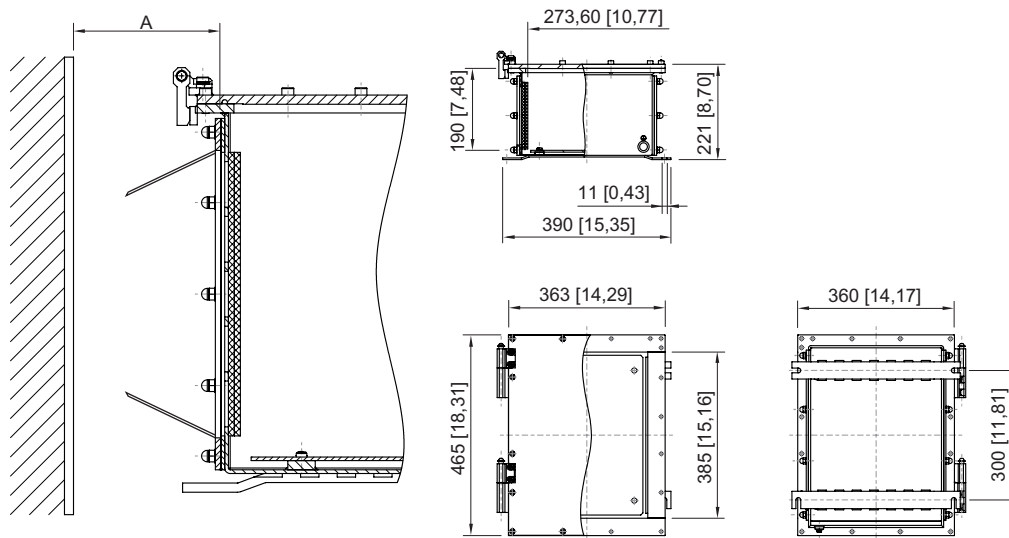
Series 8280 Flameproof Enclosure, made of Stainless Steel



E3



Enclosure size 31

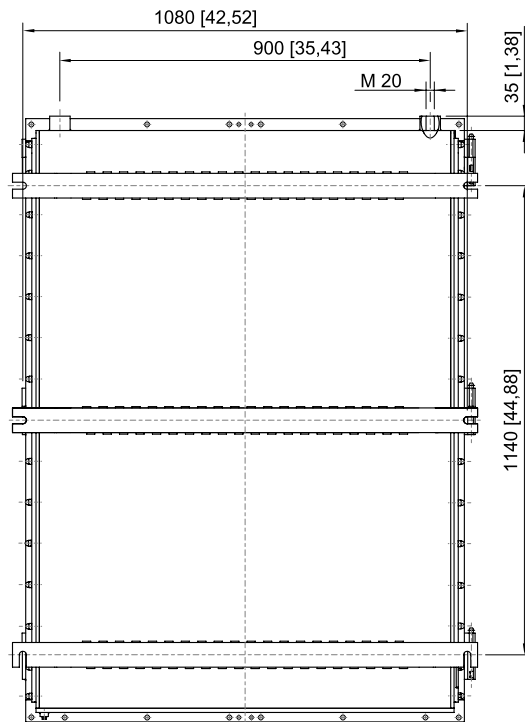
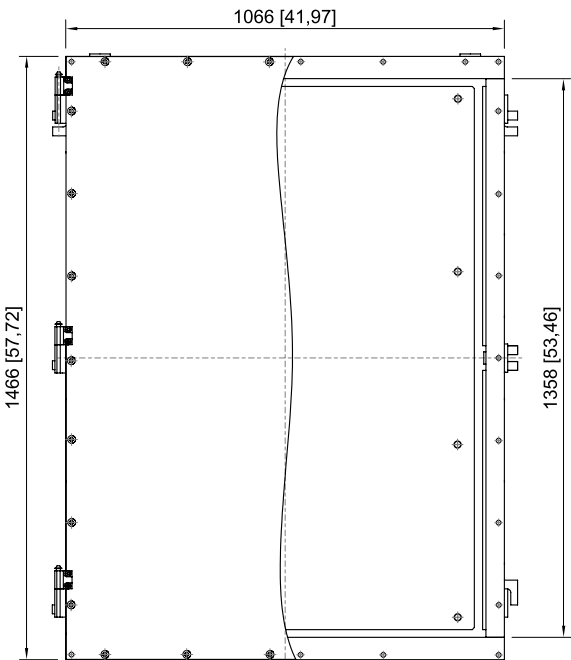
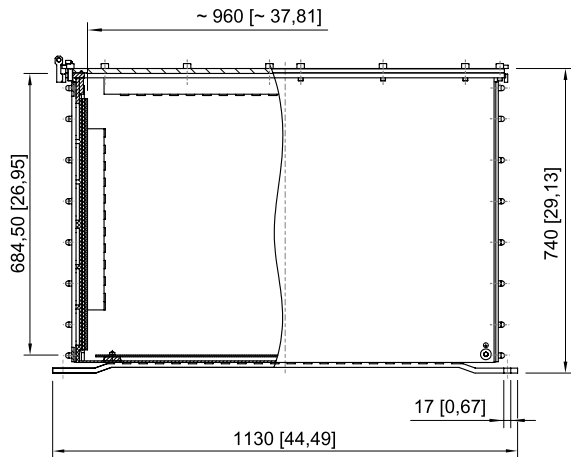


Enclosure size 20

A = Mounting distance (outer) to other fixed objects

- Enclosure size 20: A = 134 mm [5.28]
- Enclosure size 31: A = 100 mm [3.94]
- Enclosure size 41: A = 162 mm [6.38]
- Enclosure size 62: A = 300 mm [11.81]

E3



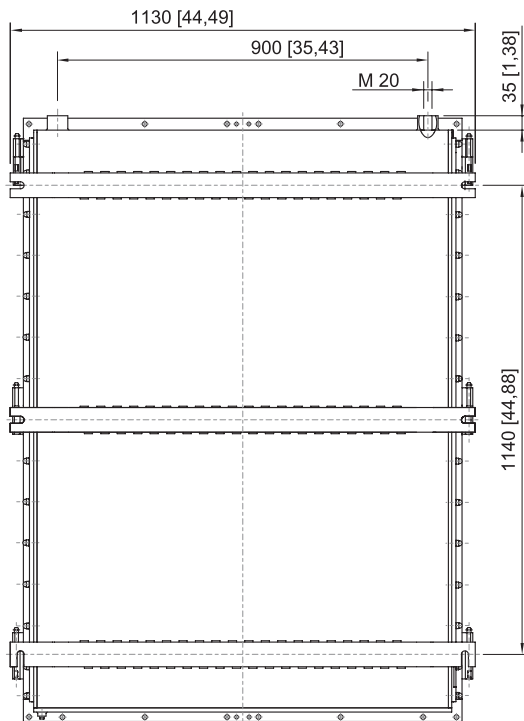
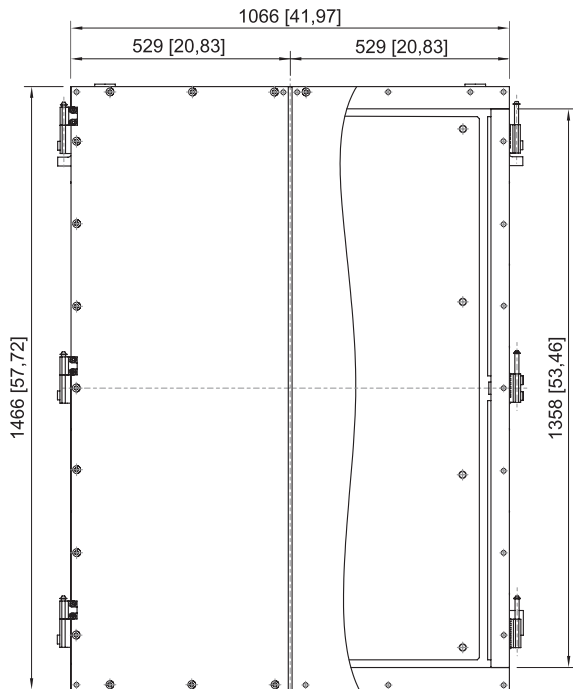
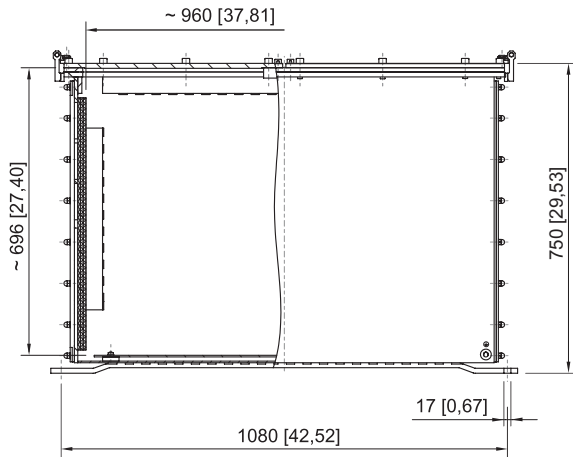
Enclosure size 62
 with 1 cover

Ex d Cabinet/EXpressure Empty Enclosure

Series 8280 Flameproof Enclosure, made of Stainless Steel



E3



Enclosure size 62
with 2 covers