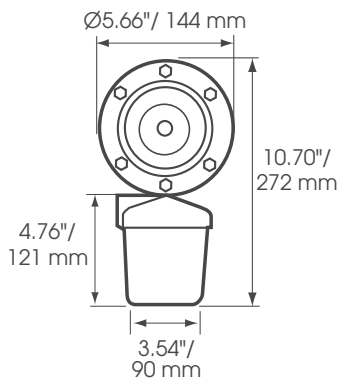
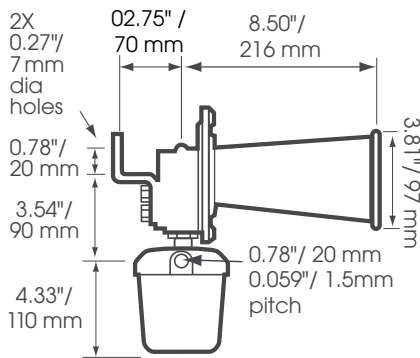


Industrial Hooters Motor Driven

VS-120MDS

- Powerful, high output
- 110 dBa @ 10', 120 dBa @ 1m
- Robust construction
- Weatherproof



Model VS-120MDS is a motor driven audible signal with a high output, low frequency resonating "klaxon" powerful warning tone. With a sound output of 110 dBa @ 10' / 120 dBa @ 1m, it can cut through background noise in almost any environment and is ideal for general alarm, start and dismissal, coded paging, and process control signaling in areas of high ambient noise levels.

In addition, VS-120MDS is weatherproof and ideal for applications on barges, work boats, dock sides and other similar marine applications.

ORDERING INFORMATION

MODEL	VOLTAGE	FREQUENCY	CURRENT
VS-120MDS-12	12VDC	420 Hz	5.0 A
VS-120MDS-24	24VDC	420 Hz	2.30 A
VS-120MDS-48	48VDC	420 Hz	1.30 A
VS-120MDS-115	115VAC	420 Hz	0.84 A
VS-120MDS-230DC	230VDC	420 Hz	0.80 A
VS-120MDS-230AC	230VDC	420 Hz	0.76 A



1 Year
Warranty



0.2 kg
0.44 lbs



-20° to 66°C
-4° to 151°F



65



110 dBa @ 10'
120 dBa @ 1m



ON 2 Min
OFF 5 Min