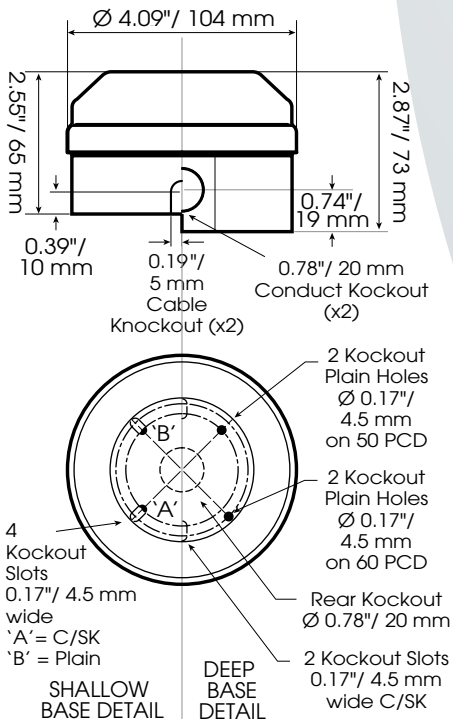


VS-73LED

- Rated for continuous use
- LED long life
- Suitable for conduit box or wall mounting
- 120° prime light output above the vertical axis
- White back box
- VS-73LED-SB = Shallow base
- Dustproof and Weatherproof



Model VS-73LED beacon is designed for industrial & commercial signaling applications where low maintenance and long life are a pre-requisite requirement.

These visual signals offer a field selectable light effect: flashing (pre-set to either 60 or 120 FPM) or continuous steady burn mode. The design also allows for a third wire connection offering the flexibility to switch from a pre-set steady burn mode to pre-set flashing mode.

Model VS-73LED-SB (shallow base) allows for two (2) 5mm side entries and one 1 x M20 rear entry.

Model VS-73LED (deep base) offers two (2) x M20 side entries and one (1) x M20 rear entry.

ORDERING INFORMATION

MODEL	VOLTAGE	LIGHT SOURCE	CURRENT
VS-73LED-SB-8-20*	8-20VAC/DC	36 White SMT LEDs	240 mA ¹
VS-73LED-8-20*	8-20VAC/DC	36 White SMT LEDs	240 mA
VS-73LED-SB-20-30*	20-30VAC/DC	36 White SMT LEDs	120 mA ²
VS-73LED-20-30*	20-30VAC/DC	36 White SMT LEDs	120 mA
VS-73LED-SB-35-85*	35-85VAC/DC	36 White SMT LEDs	76 mA ³
VS-73LED-35-85*	35-85VAC/DC	36 White SMT LEDs	76 mA
VS-73LED-SB-85-280*	85-280VAC/40-380VDC	36 White SMT LEDs	35 mA ⁴
VS-73LED-85-280*	85-280VAC/40-380VDC	36 White SMT LEDs	35 mA

¹ at 12VDC, ² at 24VDC, ³ at 48VDC, ⁴ at 230VAC

* Indicates color: (A) Amber, (B) Blue, (G) Green, (R) Red or (W) White

Available in the following colors:



1 Year
Warranty



0.25 kg
0.55 lbs



-25° to 55°C
-13° to 131°F



65



60/120



50/60 Hz