

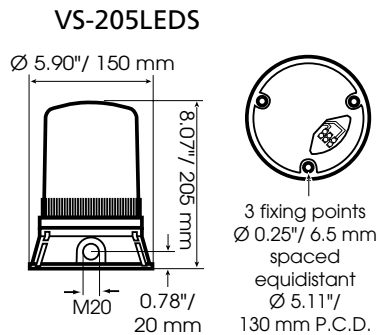
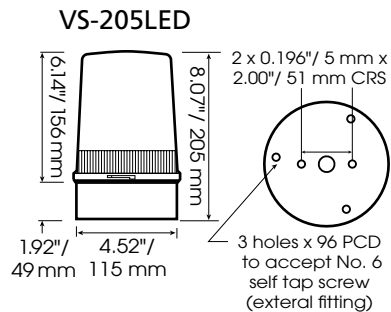


- Rated for continuous use
- LED long life and extra bright
- VS-205LED: Suitable for surface, conduit box or wall mounting
- VS-205LEDS: Suitable for surface or wall mounting
- Optional wall bracket & dome guard available
- VS-205LEDS: M20 conduit side entry or bottom cable entry
- 360° light output around the vertical axis
- Dustproof and Weatherproof

VS-205LED



VS-205LEDS



Models VS-205LED and VS-205LEDS are ideal for security, process control and industrial applications where low maintenance and long life are pre-requisite requirements. These LED beacons offer four field selectable flash patterns:

- 1 Steady burn mode
- 2 Flashing mode at 1Hz
- 3 Rotating mode: twin column
- 4 Rotating mode: single column

An advantage of the steady burn mode is that it can be controlled via a remote source (ie. control panel / plc etc) offering the potential of a remote flashing option. The design allows for termination inside the enclosure through the base.

ORDERING INFORMATION

MODEL	VOLTAGE	LIGHT SOURCE	CURRENT		
			Flashing	Rotating	Static
VS-205LED-24*	24VDC	144 LEDs	0.25	0.20 ²	0.50 A
VS-205LED-115-230* ¹	115/230VAC	144 LEDs	0.09/0.05	0.12/0.06 ²	0.17/0.10 A
VS-205LEDS-24*	24VDC	144 LEDs	0.25	0.20 ²	0.50 A
VS-205LEDS-115-230* ¹	115/230VAC	144 LEDs	0.09/0.05	0.12/0.06 ²	0.17/0.10 A

¹ Pre-set to 230VAC ² Bar Rotating Note: Current consumption is an average over a 60 second cycle

* Indicates color: (A) Amber, (B) Blue, (G) Green, (R) Red or (W) White

Available in the following colors:



OPTIONAL ACCESSORIES

- VS-DG-L Dome Guard, Large
VS-MB-L Mounting Bracket, Large



1 Year
Warranty



1.0 kg 2.2 lbs AC
0.6 kg 1.3 lbs DC



-20° to 45°C
-4° to 113°F



65



60



140