

# Compact strobe light TLX5

**Comax**  
Signaltechnik

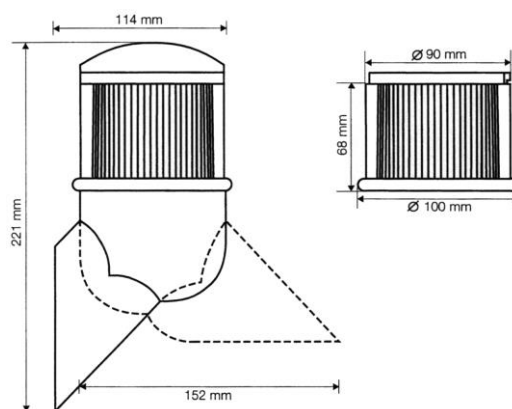
## General information

Compact strobe light with socket for flat or wall mounting. For universal use, e.g. building technology.  
Not stackable!



## Technical data

Case	polycarbonate, grey
Dome	polycarbonate with Fresnel lens
- colour	red, orange, yellow, green, blue, white, clear
Flash frequency	approx. 60 flashes/min.
Duty cycle	continuous operation
System of protection	IP54
Mounting	flat or wall mounting
Temperature range	-20°C to +50°C
Weight	approx. 0.4 kg



## Order data

Item number	Rated voltage	Joules	Current consumption
TLX5.024.3*100	24 VDC	5 Joule	400 mA
TLX5.230.7*100	230 VAC 50-60 Hz	5 Joule	60 mA

## \*Dome colours

1 = red, 2 = orange, 3 = yellow, 4 = green, 5 = blue, 6 = white, 7 = clear

## Option

Base TBR with tube

Subject to change without prior notice



**Comax**  
Signaltechnik

Comax Industrielle Signaltechnik AG, Römerstrasse 6/Postfach, CH-4512 Bellach/Schweiz  
Tel +41-(0)32-617 31 41 Fax +41-(0)32-617 31 40 e-mail: [mail@comax.ch](mailto:mail@comax.ch) internet: [www.comax.ch](http://www.comax.ch)