

# Double strobe light STR4

**Comax**  
Signaltechnik

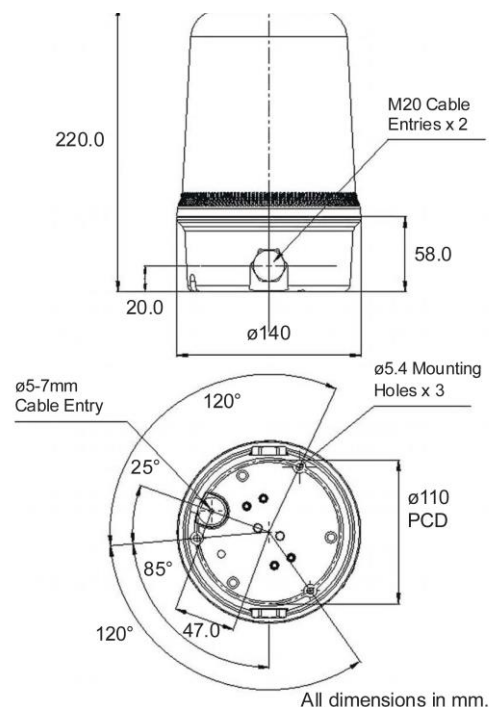
## General information

Efficient double strobe light with a modern design.  
Two modes: single strobe 1Hz or 1,5Hz or double strobe every 2 seconds. High degree of protection IP65.

For applications in the machine and process industry or in building control.

## Technical data

Dimensions	Ø 140mm x 220mm
Case	PC
-colour	black
Lens	PC
-colours	red, amber, yellow, green, blue, clear
Strobe intensity	15Joule
Flash rate	1Hz, 1,5Hz or double strike
Temperature range	-25°C up to +50°C
Construction	Bayonet with anti-tamper locking screw
Operation	continuous
Installation	Surface, wall, stand
Connection	Cable entry through bottom Ø 5-7mm or on sides 2xM20
Degree of protection	IP65 according to EN60529
Weight	535g



## Order data

No. of article	Nominal tension	Light output	Current consumption
STR4.024.3*	24VAC/VDC	15J	870mA
STR4.048.3*	48VAC/VDC	15J	480mA
STR4.115.7*	115VAC 50/60Hz	15J	400mA
STR4.230.7*	230VAC 50/60Hz	15J	225mA

## Lens colours

1 = red, 2 = amber, 3 = yellow, 4 = green, 5 = blue, 7 = clear

## Options

Wall mounting angle, stand (140mm)

Technical modifications without prior notice



**Comax**  
Signaltechnik

Comax Industrielle Signaltechnik AG, Römerstrasse 6/Postfach, CH-4512 Bellach/Schweiz  
Tel +41-(0)32-617 31 41 Fax +41-(0)32-617 31 40 e-mail: [mail@comax.ch](mailto:mail@comax.ch) internet: [www.comax.ch](http://www.comax.ch)