

LED-Beacon SMA

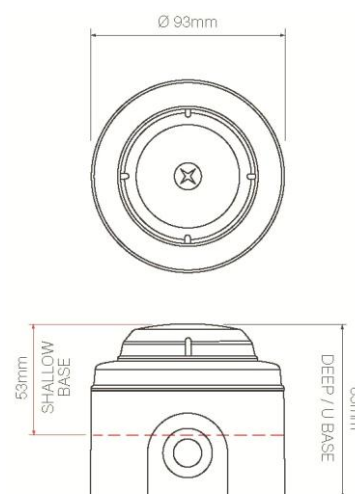
General Information

LED-Beacon in up-to-date technology. Selectable signal modes: single strobe, double strobe or permanent. Choice of economy or performance, depending the prime objective. Low power consumption. Synchronized flash



Technical data

Case	ABS
-colour	white or red
Dome	PC
-colour	clear
Cable entry	Shallow base with hole Ø 10,5 mm Surface mount bases for M20 (Option)
Flash	0,5, 1 or 3cd, 1Hz, selectable
Operation	continuous
Degree of protection	IP54, IP65 with deep or powered base
Installation	free
Temperature range	-10°C up to +55°C
Weight	approx. 100 g
Dimensions	Height 53mm (with shallow base) Height 83mm (with deep or powered base) Diameter 93mm



Order data

Item number	Nominal tension	Output	Current	Case colour
SMA.024.21*	9-60VDC	0,5, 1 or 3cd	3-20mA	red
SMA.024.26*	9-60VDC	0,5, 1 or 3cd	3-20mA	white
SMA.230.71*	110-230VAC 50-60Hz	0,5, 1 or 3cd	12mA	red
SMA.230.76*	110-230VAC 50-60Hz	0,5, 1 or 3cd	12mA	white

LED-colours 1= red, 2= amber, 4= green, 5= blue, 7= clear

Options

B-SO.230.7*	Base 110-230VAC
A-SO.000.0*	Deep base, Knockouts being opposite
U-SO.000.0*	U-shape base, 2 Knockouts being on the same side

Case colour 1 = red, 6 = white

Option Version 110-230VAC/DC on request

Technical modifications without prior notice

