

Status light SLF4

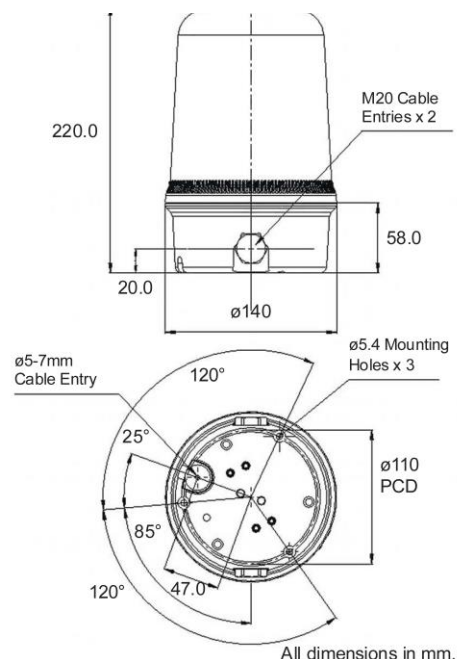
General information

Compact and modern signal light. High degree of protection IP65.

For applications in the machine and process industry or in building control.

Technical data

Dimensions	Ø 140mm x 220mm
Case	PC
-colour	black
Lens	PC
-colours	red, amber, yellow, green, blue, clear
Bulb	E14, 40W
Temperature range	-25°C up to +50°C
Construction	Bayonet with anti-tamper locking screw
Operation	continuous
Mounting	Surface, wall, stand
Connection	Cable entry through bottom Ø 5-7mm or on sides 2xM20
Degree of protection	IP65 according to EN60529
Weight	535g



Order data

No. of article	Nominal tension	Light output
SLF4.000.3*	12-250VAC/VDC	40W

Bulbs

G-1440.012.3	12VAC/VDC	40W
G-1440.024.3	24VAC/VDC	40W
G-1440.115.3	115VAC/VDC	40W
G-1440.230.3	230VAC/VDC	40W

Lens colours

1 = red, 2 = amber, 3 = yellow, 4 = green, 5 = blue, 7 = clear

Options

Wall mounting angle, stand (140mm)

Technical modifications without prior notice

