

Status light SLF3

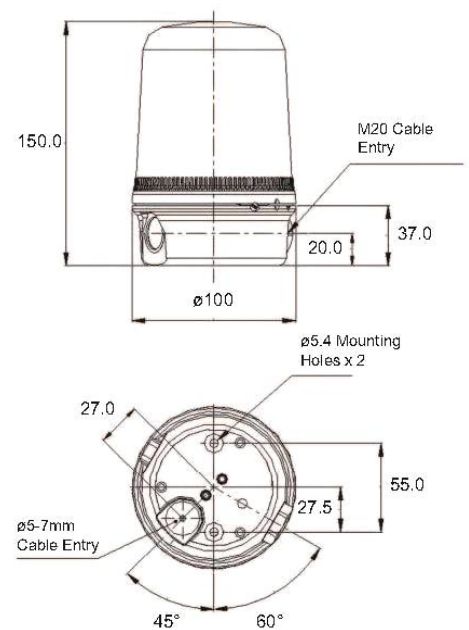
General information

Compact and modern signal light.
High degree of protection IP65.

For applications in the machine industry and in building control.

Technical data

Dimensions	Ø 100mm x 150mm
Case	PC
-colour	black
Lens	PC
-colours	red, amber, yellow, green, blue, clear
Temperature range	-25°C up to +50°C
Construction	Bayonet with anti-tamper locking screw
Operation	continuous
Mounting	Surface, wall, stand
Connection	Cable entry through bottom Ø 5-7mm or on side M20
Degree of protection	IP65 according to EN60529
Bulb	E14, 25W
Weight	370g



All dimensions in mm.

Order data

No. of article	Nominal tension	Light output
SLF3.000.3*	12-250VAC/VDC	25W

Bulbs

G-1425.012.3	12VAC/VDC	25W
G-1425.024.3	24VAC/VDC	25W
G-1425.048.3	48VAC/VDC	25W
G-1425.115.3	115VAC/VDC	25W
G-1425.230.3	230VAC/VDC	25W

Lens colours

1 = red, 2 = amber, 3 = yellow, 4 = green, 5 = blue, 7 = clear

Options

Wall mounting angle, stand (140mm)

Technical modifications without prior notice

