

Status light SLF2

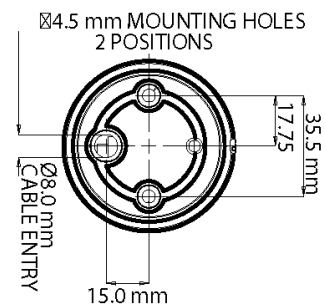
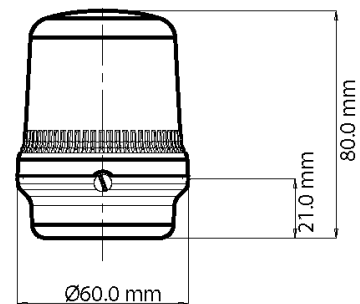
General information

Compact and efficient signal light. High degree of protection IP65.

For application in the machine industry or in building control.

Technical data

Dimensions	Ø 60mm x 80mm
Case	PC
-colour	black
Lens	PC
-colours	red, amber, yellow, green, blue, clear
Temperature range	-25°C up to +50°C
Construction	Bayonet with anti-tamper locking screw
Operation	continuous
Installation	Surface, wall, stand
Connection	Cable entry through bottom Ø 8mm
Degree of protection	IP65 according to EN60529
Bulb	Ba9s, 5W
Weight	78g



Order data

No. of article	Nominal tension	Light output
SLF2.000.3*	12-250VAC/VDC	5W

Bulbs

G-B905.012.3	12VAC/VDC	5W
G-B905.024.3	24VAC/VDC	5W
G-B905.048.3	48VAC/VDC	5W
G-B905.115.3	115VAC/VDC	5W
G-B905.230.3	230VAC/VDC	5W

Lens colours

1 = red, 2 = amber, 3 = yellow, 4 = green, 5 = blue, 7 = clear

Options

Wall mounting angle, stand (140mm)

Technical modifications without prior notice

