

Panel mount status light SLF1

Comax
Signaltechnik

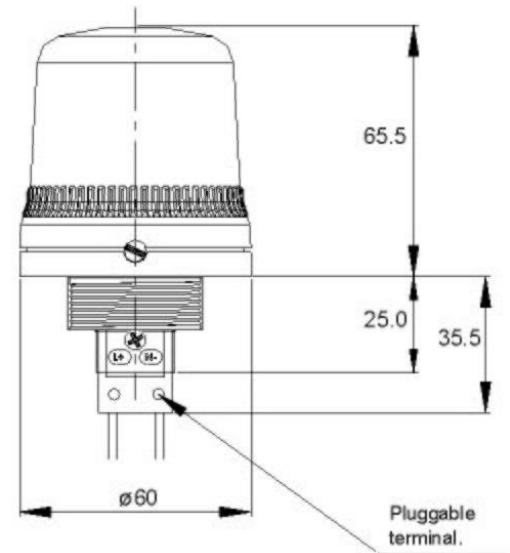
General information

Compact and efficient signal light. High degree of protection IP65.

For applications in the machine industry or in building control.

Technical data

Dimensions	Ø 60mm x 65,5mm
Case	PC
-colour	black
Lens	PC
-colours	red, amber, yellow, green, blue, clear
Bulb	Ba9s, 5W
Temperature range	-25°C up to +50°C
Construction	Bayonet with anti-tamper locking screw
Operation	continuous
Installation	Panel mount, Ø 37mm
Connection	plug 0,5 - 1,5mm ² (included)
Degree of protection	IP65 according to EN60529
Weight	93g



Order data

No. of article	Nominal tension	Light output
SLF1.000.3*	12-250VAC/VDC	5W

Bulbs

G-B905.012.3	12VAC/VDC	5W
G-B905.024.3	24VAC/VDC	5W
G-B905.048.3	48VAC/VDC	5W
G-B905.115.3	115VAC/VDC	5W
G-B905.230.3	230VAC/VDC	5W

Lens colours

1 = red, 2 = amber, 3 = yellow, 4 = green, 5 = blue, 7 = clear

Technical modifications without prior notice



Comax
Signaltechnik

Comax Industrielle Signaltechnik AG, Römerstrasse 6/Postfach, CH-4512 Bellach/Schweiz
Tel +41-(0)32-617 31 41 Fax +41-(0)32-617 31 40 e-mail: mail@comax.ch internet: www.comax.ch

E_SLF1_REV1_03_06_2016