

Double strobe light SLB2

Comax
Signaltechnik

General information

Powerful double strobe light. Two separate systems with 7,5 Joule energy each, strobe every 1,5s.

Types of operation:

1. synchronous flash of 15 Joule every 1,5s
2. alternating flashes of 7,5 Joule every 0,75s
3. alternating flashes with timeout of 200 milliseconds every 1,5s

Mode of operating can be selected on device. Mounting on flat surfaces. Metallic bottom. Degree of protection IP54

Technical data

| | |
|----------------------|--|
| Housing | ABS/PC, black, metallic bottom |
| Dome | Plexiglass |
| -colour | red or yellow, other colours on request |
| Strobes | 2x xenon tubes of 7,5 Joule each |
| -mode | selectable |
| -lifetime | ca. 5×10^6 flashes per xenon tube |
| Mounting | on flat surface, on angle, on tube |
| Cable | for cables of 8-12mm diameter |
| Operation | cont. |
| Degree of protection | IP54 according to EN6529 |
| Installation | upright |
| Temperature range | -20°C up to +50°C |
| Weight | ca. 2,0 kg |

Order data

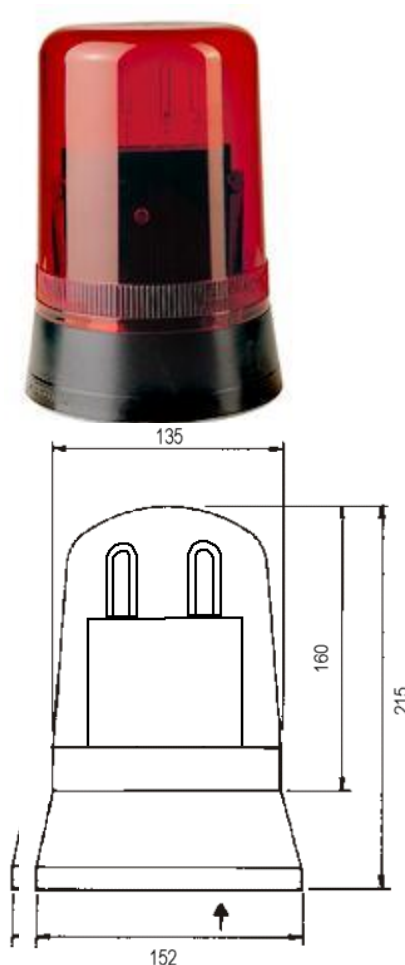
| No of article | Nominal tension | Output | Current |
|---------------|-----------------|-------------|---------|
| SLB2.012.2* | 12 VDC | 2x7,5 Joule | 1,4 A |
| SLB2.024.2* | 24 VDC | 2x7,5 Joule | 0,7 A |
| SLB2.048.2* | 48 VDC | 2x7,5 Joule | 0,35 A |
| SLB2.115.1* | 115 VAC 50-60Hz | 2x7,5 Joule | 0,14 A |
| SLB2.230.1* | 230 VAC | 2x7,5 Joule | 0,06 A |

*Lens colours 1 = red, 3 = yellow, 4 = green, 5 = blue, 7 = clear

Accessories

| | |
|--------------|------------------------------|
| M-SLD.000.00 | mounting angle WH4 |
| F-SLD.000.00 | mounting plate for tube ASFL |
| D-SLD.000.00 | protection grid V4A |

Subject to changes of technical specifications without prior notice



Comax
Signaltechnik

Comax Industrielle Signaltechnik AG, Römerstrasse 6/Postfach, CH-4512 Bellach/Schweiz
Tel +41-(0)32-617 31 41 Fax +41-(0)32-617 31 40 e-mail: mail@comax.ch internet: www.comax.ch