

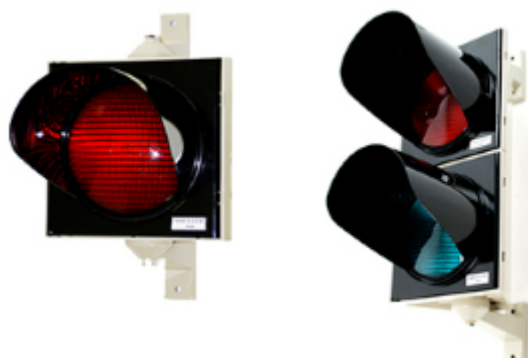
LED-Signal light SAL2

Comax
Signaltechnik

General information

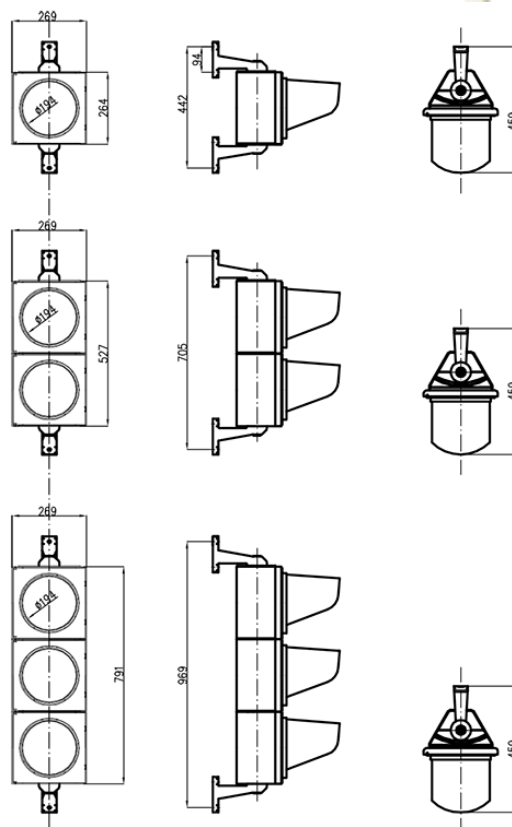
Powerful LED- signal light, flexible installation on movable steel bracket, powder coated, can be combined as double or triple signal light with red, yellow or green lens.

Two redundant switching circuits. Operating time up to 50'000 hours.



Technical data

Case	Polycarbonate
-colour	grey RAL 7032 (housing) black RAL9007 (sun shield)
Lens	Ø 200mm
-colours	red, yellow or green
LED	16W
- colours	red, yellow or green
Temperature range	-40°C – +60°C
Operation	continuous
Installation	Polycarbonatel bracket
Cable entry	M20
Degree of protection	IP65 according EN6529
Class of protection	IV
Weight	2.4kg



Order data

Item number	Lens + LED colour	Tension	Current
SAL2.024.31	red	24V AC/DC	200mA
SAL2.024.33	yellow	24V AC/DC	200mA
SAL2.024.34	green	24V AC/DC	200mA
SAL2.230.11	red	230VAC	50mA
SAL2.230.13	yellow	230VAC	50mA
SAL2.230.14	green	230VAC	50mA

Option Lens symbols available on demand

Sous réserve de modifications des données techniques



Comax
Signaltechnik

Comax Industrielle Signaltechnik AG, Römerstrasse 6/Postfach, CH-4512 Bellach/Schweiz
Tel +41-(0)32-617 31 41 Fax +41-(0)32-617 31 40 e-mail: mail@comax.ch internet: www.comax.ch