

# Revolving flash light RTH4

## General information

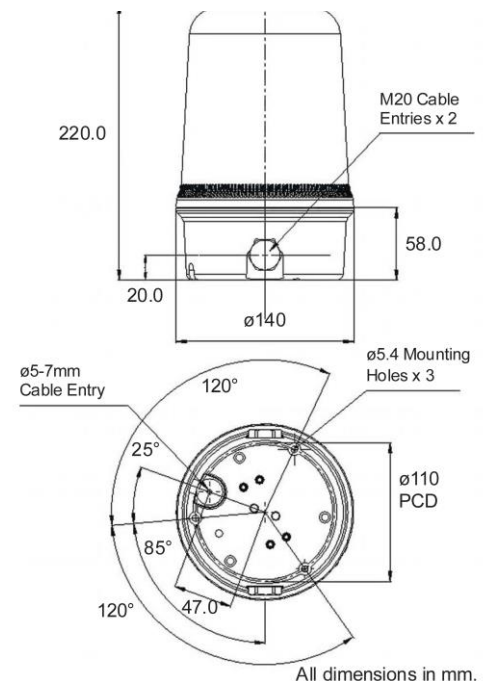
Compact and efficient revolving flash light. High degree of protection IP65.

For applications in the machine and process industry or in building control.



## Technical data

Dimensions	Ø 140mm x 220mm
Case	PC
-colour	black
Lens	PC
-colours	red, amber, yellow, green, blue, clear
Bulb	35/40W, Halogen G6.35/GY6.35
Output	325cd (clear lens)
Temperature range	-25°C up to +50°C
Construction	Bayonet with anti-tamper locking screw
Operation	continuous
Turn number	180 revolutions/Min.
Life cycle	>5'000 hours
Installation	Surface, wall, stand
Connection	Cable entry through bottom Ø 5-7mm or on sides 2xM20
Degree of protection	IP65 according to EN60529
Weight	578g



## Order data

No. of article	Nominal tension	Light output	Current consumption
RTH4.012.2*	12VDC	35W	3000mA
RTH4.024.2*	24VDC	35W	1540mA
RTH4.115.7*	115VAC/VDC	40W	338mA
RTH4.230.7*	230VAC/VDC	40W	186mA

**Lens colour** 1 = red, 2 = amber, 3 = yellow, 4 = green, 5 = blue, 7 = clear

**Options** Wall mounting angle, stand (140mm)

Technical modifications without prior notice

