

# Revolving flash light RTH3

**Comax**  
Signaltechnik

## General information

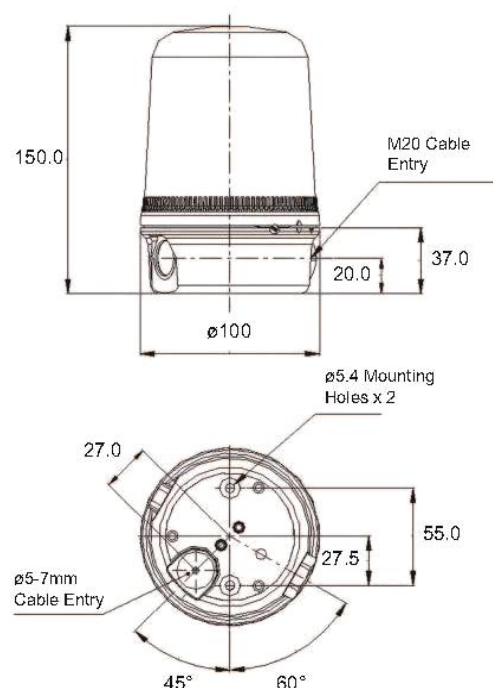
Compact revolving flash light with a modern design. High degree of protection IP65.

For applications in the machine and process industry or in building control.



## Technical data

Dimensions	Ø 100mm x 150mm
Case	PC
-colour	black
Lens	PC
-colours	red, amber, yellow, green, blue, clear
Bulb	20/25W, Halogen bulb G6.35/GY6.35
Output	125cd (clear lens)
Temperature range	-25°C up to +50°C
Construction	Bayonet with anti-tamper locking screw
Operation	continuous
Turn number	180 revolutions/Min.
Life cycle	>5'000 hours
Installation	Surface, wall, stand
Connection	Cable entry through bottom Ø 5-7mm or on side M20
Degree of protection	IP65 according to EN60529
Weight	370g



All dimensions in mm.

## Order data

No. of article	Nominal tension	Light output	Current consumption
RTH3.012.2*	12VDC	20W	1720mA
RTH3.024.2*	24VDC	20W	910mA
RTH3.115.7*	115VAC/VDC	25W	216mA
RTH3.230.7*	230VAC/VDC	25W	117mA

**Lens colour** 1 = red, 2 = amber, 3 = yellow, 4 = green, 5 = blue, 7 = clear

**Options** Wall mounting angle, stand (140mm)

Technical modifications without prior notice



**Comax**  
Signaltechnik

Comax Industrielle Signaltechnik AG, Römerstrasse 6/Postfach, CH-4512 Bellach/Schweiz  
Tel +41-(0)32-617 31 41 Fax +41-(0)32-617 31 40 e-mail: [mail@comax.ch](mailto:mail@comax.ch) internet: [www.comax.ch](http://www.comax.ch)