

Panel mount LED signal light LDA1

Comax
Signaltechnik

General information

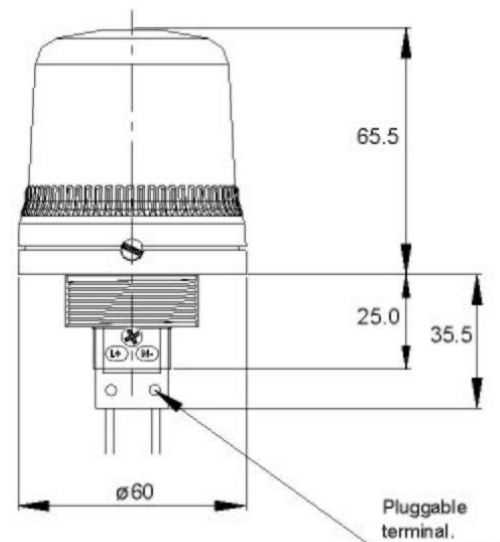
Compact and efficient LED signal light with a broad tension range. 9 high power LED's. High degree of protection IP65.

For applications in the machine industry or on control boards



Technical data

Dimensions	Ø 60mm x 65,5mm
Case	PC
-colour	black
Lens	PC
-colours	red, amber, yellow, green, blue, clear
LED	9 high power LED's
Light output	5,5cd (amber LED/Lens)
Temperature range	-25°C up to +50°C
Construction	Bayonet with anti tamper locking screw
Operation	continuous
Installation	Panel mount, Ø 37mm
Connection	Plug 0,5 - 1,5mm ² (included)
Degree of protection	IP65 according to EN60529
Weight	93g



Order data

No. of article	Nominal tension	Current consumption
LDA1.024.2*	10-30VDC	80mA
LDA1.230.7*	90-230VAC 50/60Hz	32mA

Lens-/LED colours

1 = red, 2 = amber, 3 = yellow, 4 = green, 5 = blue, 7 = clear

Technical modification without prior notice

