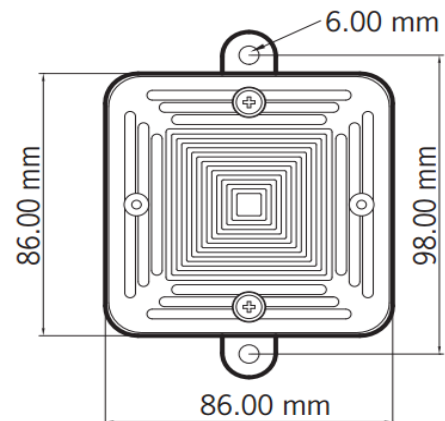
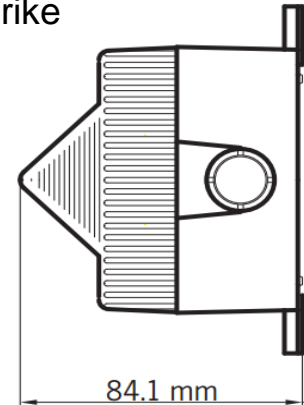


# Xenon Strobe L101X



- Wall, ceiling or open
- Frequency 1Hz / 1,5Hz / double strike
- min. current 250mA
- **codes see table**



<b>Technical data</b>	
<b>Xenon Strobe</b>	
Output	5 Joules (250cd)
Frequency	1Hz / 1,5Hz / double strike
<b>EN54-23 (see also table below)</b>	
<b>Mounting</b>	<b>Wall</b>
Coverage (y)	see table
Mounting height (x)	see table
Coverage volume	see table
<b>Mounting</b>	<b>Ceiling</b>
Coverage (y)	see table
Mounting height (x)	see table
Coverage volume	see table
<b>Case</b>	
Material	case ABS, lens PC
-colours of case	red or white
-colours of lens	red or clear
Degree of protection	IP66
Temperature range	-25°C up to +70 °C
Weight	200g
Approval	EN 54-23

<b>Categories</b>			
Unit	<b>Code C (Ceiling)</b>	<b>Code W (Wall)</b>	<b>Code O (open)</b>
24VDC flash clear	C-9-6.8 V=326,9m <sup>3</sup>	W-2.4-4.8 V=55,3m <sup>3</sup>	O-4.8-10 V=230,4m <sup>3</sup>
24VDC flash red	C-3-2.6 V=15,9m <sup>3</sup>	n.a.	O-1.9-3.6V=13m <sup>3</sup>
48VDC flash clear	C-9-7 V=346,4m <sup>3</sup>	W-2.5-5 V=62,5m <sup>3</sup>	O-5-10 V=250,4m <sup>3</sup>
48VDC flash red	C-3-3 V=21,2m <sup>3</sup>	n.a.	O-2-4 V=16m <sup>3</sup>

<b>Order data</b>			
<b>No. of article</b>	<b>Tension</b>	<b>Frequency</b>	<b>Current</b>
L101X.024.2 <sup>1 2</sup>	20-28VDC	1Hz / 1,5Hz / double strike	300mA/250mA
L101X.048.2 <sup>1 2</sup>	42-52VDC	1Hz / 1,5Hz / double strike	250mA/175mA

<b><sup>1</sup> case colours</b>	1 = red, 6 = white
<b><sup>2</sup> flash colours</b>	1 = red (lens red), 7 = white (lens clear)

Technical modifications without prior notification

