

Small hooter KHP 1+2

Comax
Signaltechnik

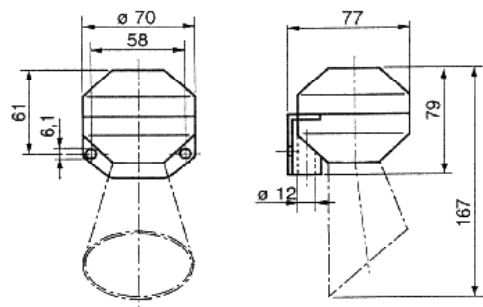
General information

A small, rugged acoustic alarm for indoor installation.
Effective wherever loud and clear signals are required.



Technical data

Case	ABS, shock-resistant
Colour	light grey
System of protection	IP32 according to EN 60529
Temperature range	-15°C to +50°C
Duty cycle	continuous operation
Cable:	
-gland	Ø 12 mm
-lead	surface or flush mounting
-connection	conductor up to 1,5 mm ²
Weight	approx. 0.18 kg



Order data

Item number	Rated voltage	Sound intensity level	Current consumption	Type
KHP1.012.1	12 VAC	approx. 92 dB(A), 1m	330 mA	with flare
KHP1.024.1	24 VAC	approx. 92 dB(A), 1m	190 mA	with flare
KHP1.042.1	42-48 VAC	approx. 92 dB(A), 1m	75 mA	with flare
KHP1.115.1	115 VAC	approx. 92 dB(A), 1m	15 mA	with flare
KHP1.230.1	230 VAC	approx. 92 dB(A), 1m	15 mA	with flare
KHP2.006.2	6 VDC	approx. 92 dB(A), 1m	100 mA	with flare
KHP2.012.2	12 VDC	approx. 92 dB(A), 1m	150 mA	with flare
KHP2.024.2	24 VDC	approx. 92 dB(A), 1m	70 mA	with flare
KHP2.048.2	48 VDC	approx. 92 dB(A), 1m	30 mA	with flare
KHP2.115.2	115 VDC	approx. 92 dB(A), 1m	30 mA	with flare

Subject to change without prior notice



Comax
Signaltechnik

Comax Industrielle Signaltechnik AG, Römerstrasse 6/Postfach, CH-4512 Bellach/Schweiz
Tel +41-(0)32-617 31 41 Fax +41-(0)32-617 31 40 e-mail: mail@comax.ch internet: www.comax.ch

E_KHP1_2_REV0_19_02_2013