

Signal hooter HPW 3+4

Comax
Signaltechnik

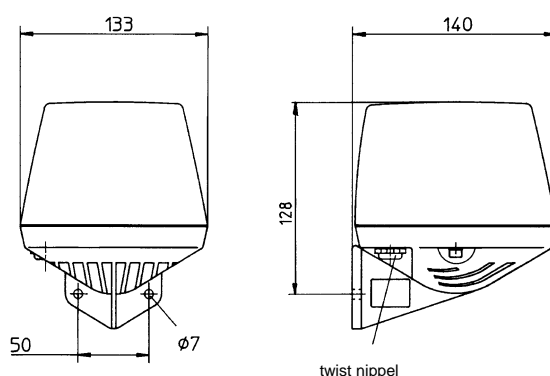
General information.

It can be used for warning, paging and signalling.
Universal use, proven effective countless times.
Without flare.



Technical data

Case	ABS, shock-resistant
Colour	grey
System of protection	IP55
Acoustic frequency	approx. 700 Hz
Temperature range	-20°C to +60°C
Duty cycle	continuous operation
Cable:	
- gland	twist nippel
- connection	conductor up to 1.5mm ²
Installation	sound outlet downwards
Weight	approx. 0.9 kg



Order data

Item number	Rated voltage	Sound intensity level	Current consumption	Type
HPW3.006.1	6 VAC	approx 105-110 dB(A), 1m	3.40 A	
HPW3.012.1	12 VAC	approx 105-110 dB(A), 1m	1.20 A	
HPW3.024.1	24 VAC	approx 105-110 dB(A), 1m	0.65 A	
HPW3.042.1	42-48 VAC 50Hz	approx 105-110 dB(A), 1m	0.30 A	
HPW3.060.1	60 VAC	approx 105-110 dB(A), 1m	0.25 A	
HPW3.115.1	115 VAC	approx 105-110 dB(A), 1m	0.15 A	
HPW3.120.4	120 VAC 60Hz	approx 105-110 dB(A), 1m	0.15 A	
HPW3.230.1	230 VAC	approx 105-110 dB(A), 1m	0.07 A	
HPW3.240.4	240 VAC 60Hz	approx 105-110 dB(A), 1m	0.07 A	
HPW3.230.1003	230 VAC	approx 105-110 dB(A), 1m	0.07 A	with telephone relay
HPW4.006.2	6 VDC	approx 105-110 dB(A), 1m	1.00 A	
HPW4.012.2	12 VDC	approx 105-110 dB(A), 1m	0.60 A	
HPW4.024.2	24 VDC	approx 105-110 dB(A), 1m	0.30 A	
HPW4.048.2	48 VDC	approx 105-110 dB(A), 1m	0.24 A	
HPW4.060.2	60 VDC	approx 105-110 dB(A), 1m	0.15 A	
HPW4.115.2	115 VDC	approx 105-110 dB(A), 1m	0.08 A	
HPW4.230.2	230 VDC	approx 105-110 dB(A), 1m	0.05 A	

Subject to change without prior notice



Comax
Signaltechnik

Comax Industrielle Signaltechnik AG, Römerstrasse 6/Postfach, CH-4512 Bellach/Schweiz
Tel +41-(0)32-617 31 41 Fax +41-(0)32-617 31 40 e-mail: mail@comax.ch internet: www.comax.ch