

Signal hooter HGK 3 + 4

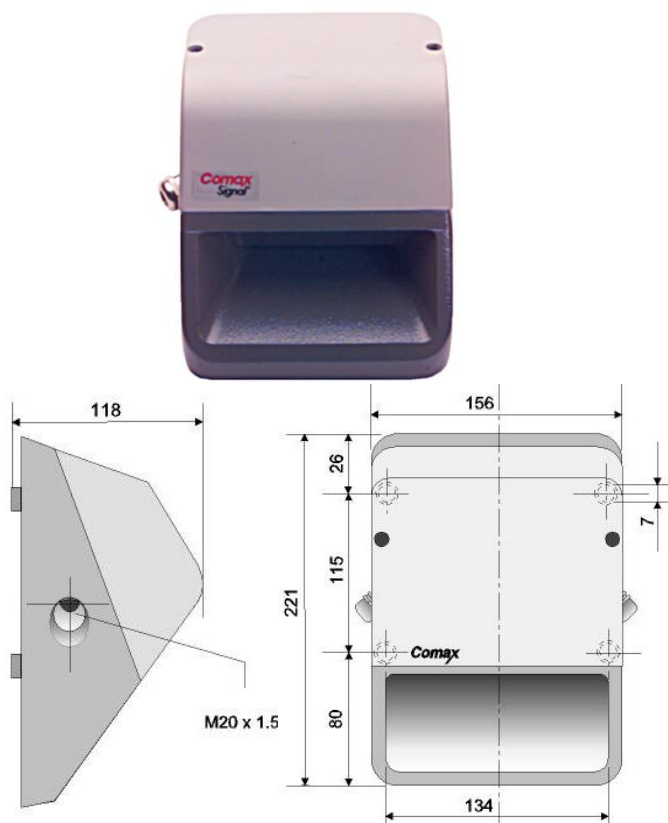
Comax
Signaltechnik

General information

Loud-volume alarm with modest design and high degree of protection for outdoor installation. For uses in which ruggedness together with reliability have priority.

Technical data

Case	aluminium die casting, dark grey
Cover	ABS, shock-resistant, light grey
System of protection	IP65 according to EN 60529
Acoustic frequency	approx. 850 Hz
Temperature range	-20°C to +60°C
Duty cycle	continuous operation
Mounting direction	opening downwards
Cable:	
-gland	M20 x 1,5
-connection	conductor up to 1,5 mm ²
Weight	approx. 1.75 kg



Order data

Item number	Rated voltage	Sound intensity level	Current consumption
HGK3.120.4	120 VAC 60Hz	approx 105-110 dB(A),1m	0.15 A
HGK3.230.1	230 VAC	approx 105-110 dB(A),1m	0.10 A
HGK4.024.2	24 VDC	approx 105-110 dB(A),1m	0.30 A

Subject to change without prior notice



Comax
Signaltechnik

Comax Industrielle Signaltechnik AG, Römerstrasse 6/Postfach, CH-4512 Bellach/Schweiz
Tel +41-(0)32-617 31 41 Fax +41-(0)32-617 31 40 e-mail: mail@comax.ch internet: www.comax.ch