

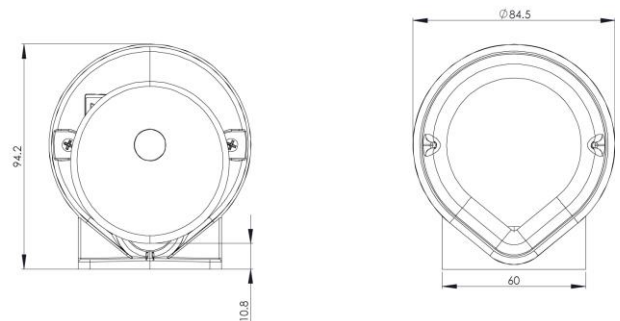
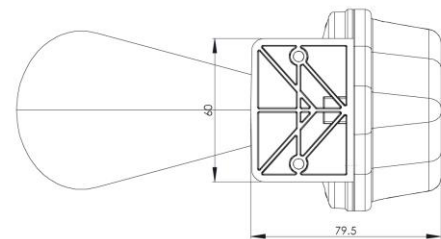
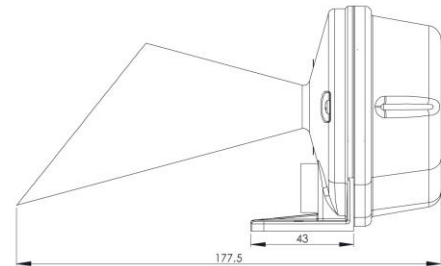
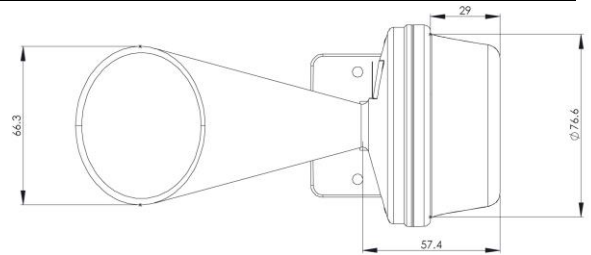
Electronic Alarm Horn H100T

Comax
Signaltechnik



General information

Compact electronic alarm horn with trumpet for manifold uses. Three different tones selectable. Volume control. Wide range of nominal tensions in AC and DC.
High degree of protection IP65.



Technical data

| | |
|----------------------|--|
| Case | ABS, shock-resistant |
| Colour of case | light grey |
| Degree of protection | IP65 according to EN 60529 |
| Temperature range | -25°C to +50°C |
| Duty cycle | continuous operation |
| Tones | buzzer alternate tone 1200/500Hz, 1Hz alternate tone 800/1000Hz, 7Hz |
| Connection | |
| - cable entry | 5-7mm Ø push-through grommet |
| - cable installation | flush or surface mounting |
| - lead | terminal up to 0,5 - 1,5mm ² |
| Weight | approx. 0.148 kg |

Order data

| Item number | Rated voltage | Sound intensity level | Current consumption | Type |
|-------------|---------------|-----------------------|---------------------|--------------|
| H100T.024.3 | 12-30VAC/VDC | approx. 100dB(A), 1m | 24mA at 24VDC | with trumpet |
| H100T.230.3 | 40-260VAC/VDC | approx. 100dB(A), 1m | 10mA at 230VAC | with trumpet |

Subject to change without prior notice



Comax
Signaltechnik

Comax Industrielle Signaltechnik AG, Römerstrasse 6/Postfach, CH-4512 Bellach/Schweiz
Tel +41-(0)32-617 31 41 Fax +41-(0)32-617 31 40 e-mail: mail@comax.ch internet: www.comax.ch

E_H100T_REV2_08_06_2016