

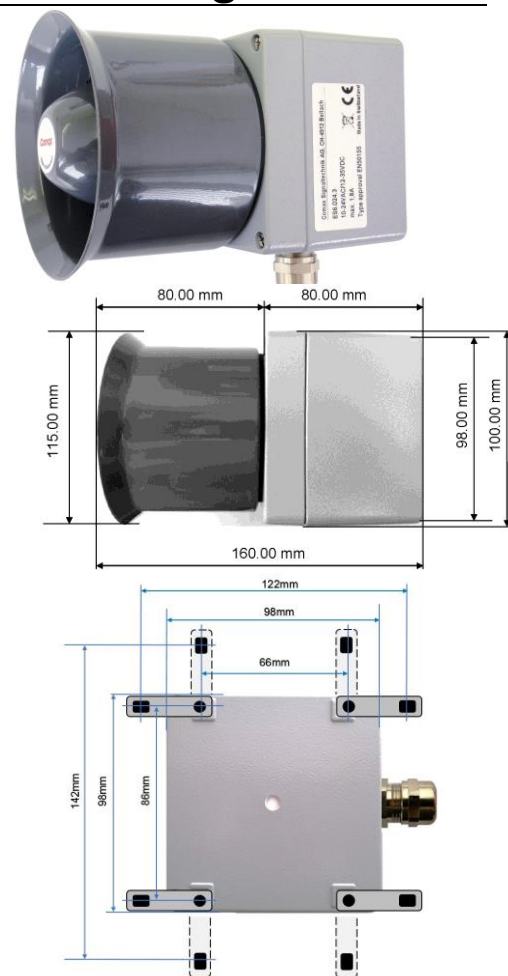
Electronic sound generator ES 6

General information

Very powerful heavy duty sound generator. Loudspeaker and case in Aluminium, resistant to vibrations and shocks, for use in tropical or cold environments, indoor or outdoor.
7 different tones, can be controlled individually (see table).
Control electrically isolated. Volume control on the board. Earth through fixing screws. Type approval according to EN50155.
Option: up to 3 customized tones programmable as wav-files.
Model with Souriau connectors on request.

Technical data

| | |
|-------------------|---|
| Case | Aluminium, grey RAL7001 |
| Loudspeaker | Aluminium, grey RAL7015 |
| Protection | IP66 according to EN 60529 |
| Cable entry | M16 (Option M20) |
| Connection | 6 spring terminals for cables with diameter up to 1,5 mm ² |
| Tones | 7 different tones controlled individually Option: alternatively 3 tones as wav-files |
| Sound output | up to 120dB (A)1m |
| Operation | continuous operation |
| Installation | free |
| Temperature range | -40°C up to +70°C |
| Humidity | <90% |
| Weight | about 1,6 kg |
| Type approval | EN50155 for railway applications |



| | 1 | 2 | 3 | | | | |
|---|---|---|---|------------|---|----|------------|
| 1 | 1 | 0 | 0 | 1200-500Hz | | 4s | 121dB(A)1m |
| 2 | 0 | 1 | 0 | 2850Hz | | | 112dB(A)1m |
| 3 | 1 | 1 | 0 | 500-1200Hz | | 3s | 121dB(A)1m |
| 4 | 0 | 0 | 1 | 720Hz | 700ms ON 300ms OFF | 1s | 117dB(A)1m |
| 5 | 1 | 0 | 1 | 970Hz | 3X500ms ON 500ms OFF Pause 1500ms (ISO8201) | 4s | 118dB(A)1m |
| 6 | 0 | 1 | 1 | 660Hz | | | 114dB(A)1m |
| 7 | 1 | 1 | 1 | 1000Hz | 500ms ON 500ms OFF | 1s | 117dB(A)1m |

Order data

| Article number | Nominal tension | Sound output | Current |
|----------------|-------------------|------------------|------------------------------|
| ES6.024.3 | 10-24VAC/12-35VDC | 114-121dB(A), 1m | approx. 3,1A (at full power) |
| ES6.110.2 | 66-154VDC | 114-121dB(A), 1m | approx. 3,1A (at full power) |

Accessories:

| | |
|-------------|----------------------|
| L-ES.000.01 | Fixing lugs (4 pcs.) |
|-------------|----------------------|

Option: Version with approval EN45545

Technical details may be changed without prior notice

