

# Panel mount LED flash light DF

**Comax**  
**Signaltechnik**

## General information

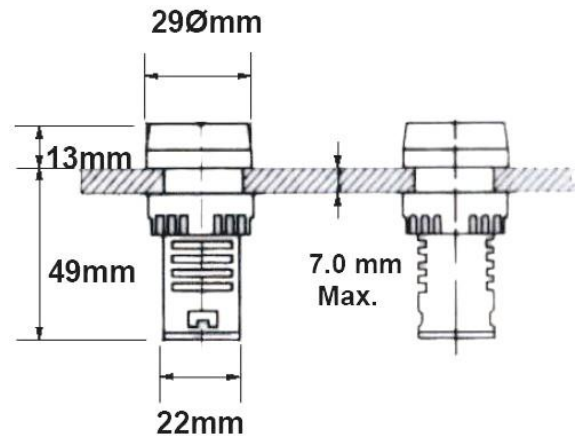
Panel mount flash light in LED technology. For holes with diameter 22mm. High degree of protection IP65.

For applications on control boards or in the machine industry.



## Technical data

Dimensions	Ø 29mm x 62mm
Case	PC
-colour	black
Lens	PC
-colour	red
Temperature range	-25°C up to +50°C
Operation	continuous
Installation	panel mount, holes Ø 22mm
Degree of protection	IP65 according to EN60529
LED	2x red
Flash frequency	2Hz
Life cycle	50'000 hours
Weight	90g



## Order data

No. of article	Nominal tension	Current
DF.024.31	24VAC/VDC	15-30mA
DF.048.31	48VAC/VDC	15-30mA
DF.115.31	110-130VAC/VDC	15-30mA
DF.230.11	230VAC	15-30mA

## Options

Label holder 25x18mm, 25x10mm

Modifications of technical data without prior notice



**Comax**  
**Signaltechnik**

Comax Industrielle Signaltechnik AG, Römerstrasse 6/Postfach, CH-4512 Bellach/Schweiz  
Tel +41-(0)32-617 31 41 Fax +41-(0)32-617 31 40 e-mail: [mail@comax.ch](mailto:mail@comax.ch) internet: [www.comax.ch](http://www.comax.ch)