

Panel mount buzzer DBZ

Comax
Signaltechnik

General information

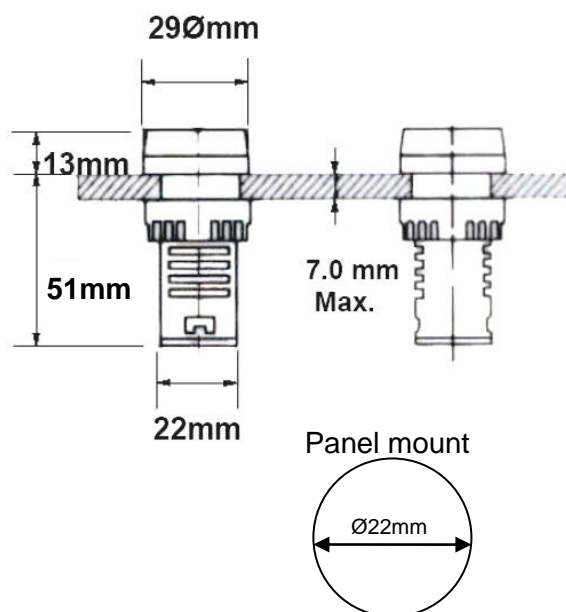
Panel mount buzzer with intermittent sound. For holes with diameter 22mm. High degree of protection IP65.

For applications on control boards or in the machine industry.



Technical data

Dimensions	Ø 29mm x 64mm
Installation	panel mount, holes Ø 22mm
Case	PC
-colour	black
Cover	PC
-colour	black
Temperature range	-25°C up to +50°C
Operation	continuous
Degree of protection	IP65 according to EN60529
Sound	intermittent sound
Life cycle	50'000 hours
Weight	90g



Order data

No. of article	Nominal tension	Output	Current
DBZ.024.3	24VAC/VDC	80dB at 10cm distance	15-30mA
DBZ.048.3	48VAC/VDC	80dB at 10cm distance	15-30mA
DBZ.115.3	110-130VAC/VDC	80dB at 10cm distance	15-30mA
DBZ.230.1	230VAC	80dB at 10cm distance	15-30mA

Options

Label holder 25x18mm, 25x10mm

Modification of technical data without prior notice



Comax
Signaltechnik

Comax Industrielle Signaltechnik AG, Römerstrasse 6/Postfach, CH-4512 Bellach/Schweiz
Tel +41-(0)32-617 31 41 Fax +41-(0)32-617 31 40 e-mail: mail@comax.ch internet: www.comax.ch