

Panel mount LED flash light DBF with buzzer

Comax
Signaltechnik

General information

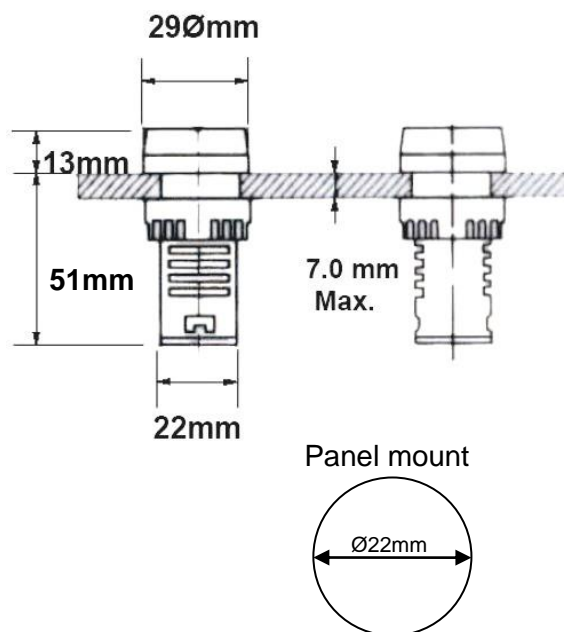
Flash light in LED technology with buzzer. Panel mount for holes with diameter 22mm. Degree of protection IP65

For applications on control boards or in the machine industry



Technical data

Dimensions	Ø 29mm x 64mm
Installation	panel mount, holes Ø 22mm
Case	PC
-colour	black
Lens	PC
-colour	red
Temperature range	-25°C up to +50°C
Operation	continuous
Degree of protection	IP65 according to EN60529
LED	2x red
Flash frequency	2Hz
Sound	intermittent sound
Life cycle	50'000 hours
Weight	90g



Order data

No. of article	Nominal tension	Output	Current
DBF.024.31	24VAC/VDC	80dB at 10cm distance	20-80mA
DBF.048.31	48VAC/VDC	80dB at 10cm distance	20-80mA
DBF.115.31	110-130VAC/VDC	80dB at 10cm distance	18-30mA
DBF.230.11	230VAC	80dB at 10cm distance	18-30mA

Options

Label holder 25x18mm, 25x10mm

Modifications of technical data without prior notice



Comax
Signaltechnik

Comax Industrielle Signaltechnik AG, Römerstrasse 6/Postfach, CH-4512 Bellach/Schweiz
Tel +41-(0)32-617 31 41 Fax +41-(0)32-617 31 40 e-mail: mail@comax.ch internet: www.comax.ch