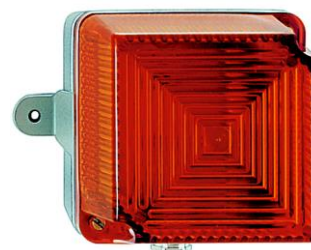


Strobe Light BLK5/15

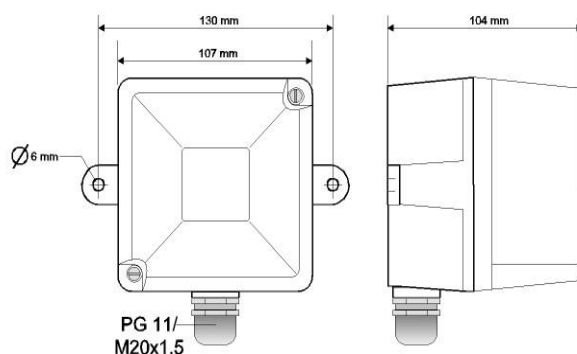
General information

Optical signalling device of rugged design for indoor and outdoor use with compensation valve to prevent condensation water.



Technical data

Case	Aluminium die casting
Dome	ABS
-colour	red, amber, yellow, green, blue, clear
Cable gland	M20
Operation	BLK5 continuous BLK15 short-time operation 5 minutes
System of protection	IP65 according to EN 60529
Mounting direction	Unlimited
Temperature range	-30°C to +50°C
Weight	Approx 0.7 kg



Order data

Type	Rated voltage	Flash energy	Rated current	Flash Frequency
BLK5.012.2*	9-16 VDC	5 Joule	0.70 A	app. 60 flash/min.
BLK5.024.2*	15-32 VDC	5 Joule	0.30 A	app. 60 flash/min.
BLK5.048.2*	33-60 VDC	5 Joule	0.15 A	app. 60 flash/min.
BLK5.024.7*	15-32 VAC 50-60Hz	5 Joule	0.70 A	app. 60 flash/min.
BLK5.230.7*	230 VAC 50-60Hz	5 Joule	0.07 A	app. 60 flash/min.
BLK15.024.2*	16-30 VDC	15 Joule	0.90 A	app. 30 flash/min.
BLK15.230.7*	230 VAC 50-60Hz	15 Joule	0.11 A	app. 30 flash/min.

*dome colours 1 = red, 2 = amber, 3 = yellow, 4 = green, 5 = blue, 7 = clear

Spare parts

Dome
Printed circuit board

Special models

VDS approval
Cover lid contact
Extended temperature range

Subject to change without prior notice

