

Hydrostatic level transmitter MEMPRO Ex C



- Fill level monitoring in ATEX Ex area
- For flammable liquids
- No moving parts
- Accurate and reliable measurement
- Output signal 4-20 mA, 2 wires
- Free from fluid viscosity or conductivity
- Scales: up to 4000 mm
- ATEX certification

PRINCIPLE

The MEMPRO Ex C measuring instrument operates in accordance with the Pitot static principles, i.e. the level signal is proportional to the hydrostatic pressure in a measuring tube plunged into the liquid. It is used for measuring fill-levels of flammable liquids. The device is approved for use in danger zone 0 for flammable media assigned to explosion group IIC. The MEMPRO Ex C fill-level transmitter is used as a passive 2-pole device in intrinsically safe circuits. It converts the backpressure signal into a load independent current within a range of 4 to 20 mA.

APPLICATIONS

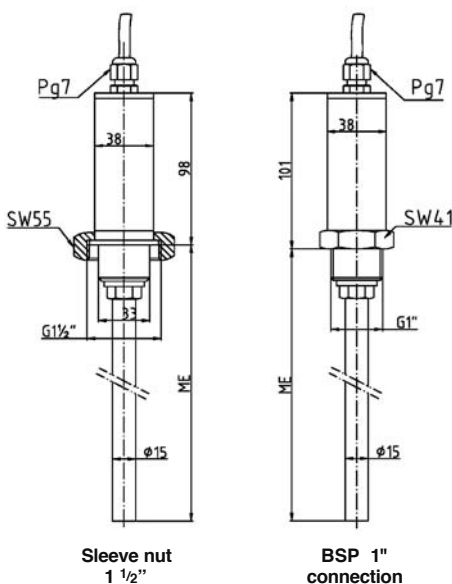
For measuring the fill level of tank (*atmospheric pressure*) with an Ex area requirement. The device is suitable for flammable liquids and for use in ATEX Ex area (*see the agreements herein after*). The sensor (*ceramic*) is in contact with the vapours not directly with the fluid.

TECHNICAL SPECIFICATIONS

| | |
|----------------------|--|
| Scales: | 0 to 1000 mm Water Column 0 to 2000 mm Water Column 0 to 4000 mm Water Column |
| Accuracy: | < 1% Full scale |
| Process connections: | BSP 1" Sleeve nut 1 1/2" |
| Materials: | Stainless steel 1.4571 |
| Output signal: | 4-20 mA |
| Ambient temperature: | -20 ... +70 °C (<i>equipment group 2</i>) -20...+55° C (<i>equipment group 1/2</i>) |
| Pressure | Atmospheric |
| Electric connection: | Acc. to ATEX requirement – special cable with a pressure compensating tubing |
| Sensor: | Ceramic; Capacitive; With automatic temperature compensation |
| Certification: | TÜV 04 ATEX 2420 |
| Agreements: | Ex II 2 G EEx ia II C T6 Ex II 1/2 G EEx ia II C T6 |
| CE Marks: | EMC (89/336/ECC) |

CODE NUMBER and REFERENCE

592 X02: *Please contact us or by e-mail or by FAX*



BAMO MESURES

22, Rue de la Voie des Bans - Z.I. de la Gare - 95100 ARGENTEUIL
Tél : (+33) 01 30 25 83 20 - Web : www.bamo.fr
Fax : (+33) 01 34 10 16 05 - E-mail : info@bamo.fr

Hydrostatic level transmitter
MEMPRO Ex C

04-12-2009

592 I1 02 A

NIV

592-02/1